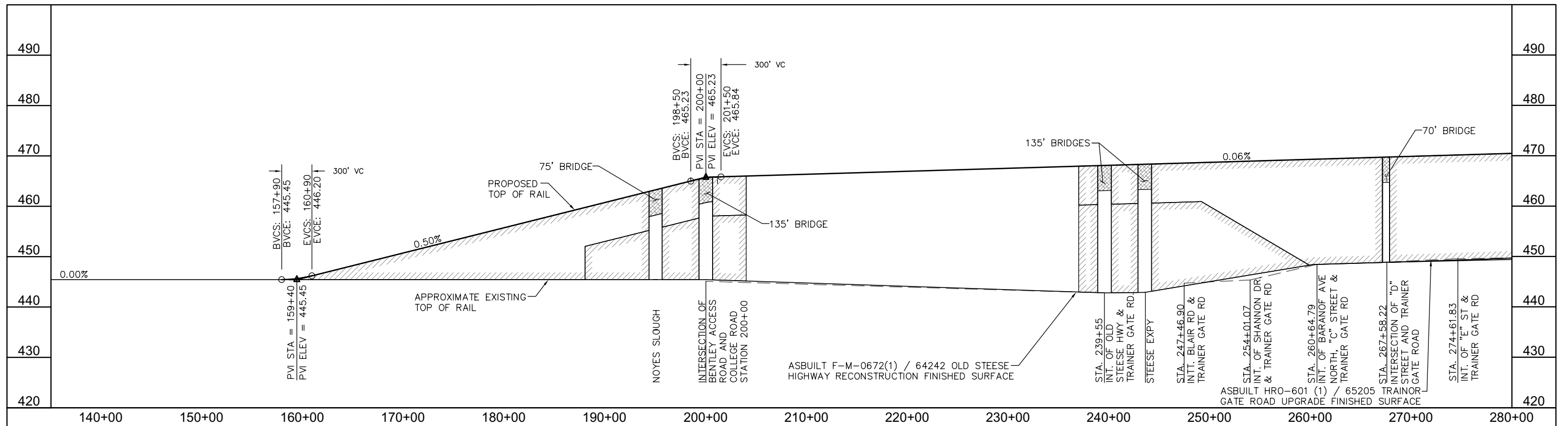
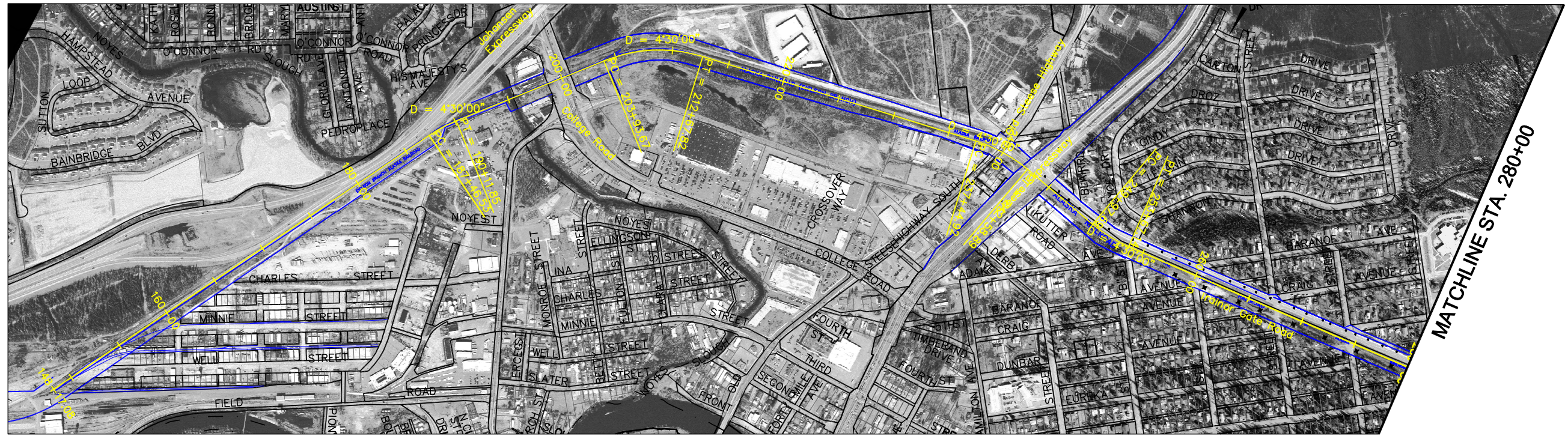
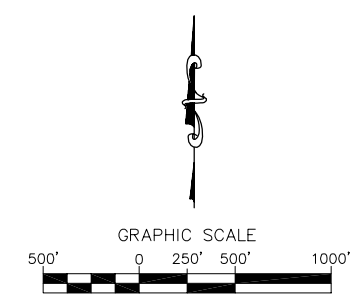


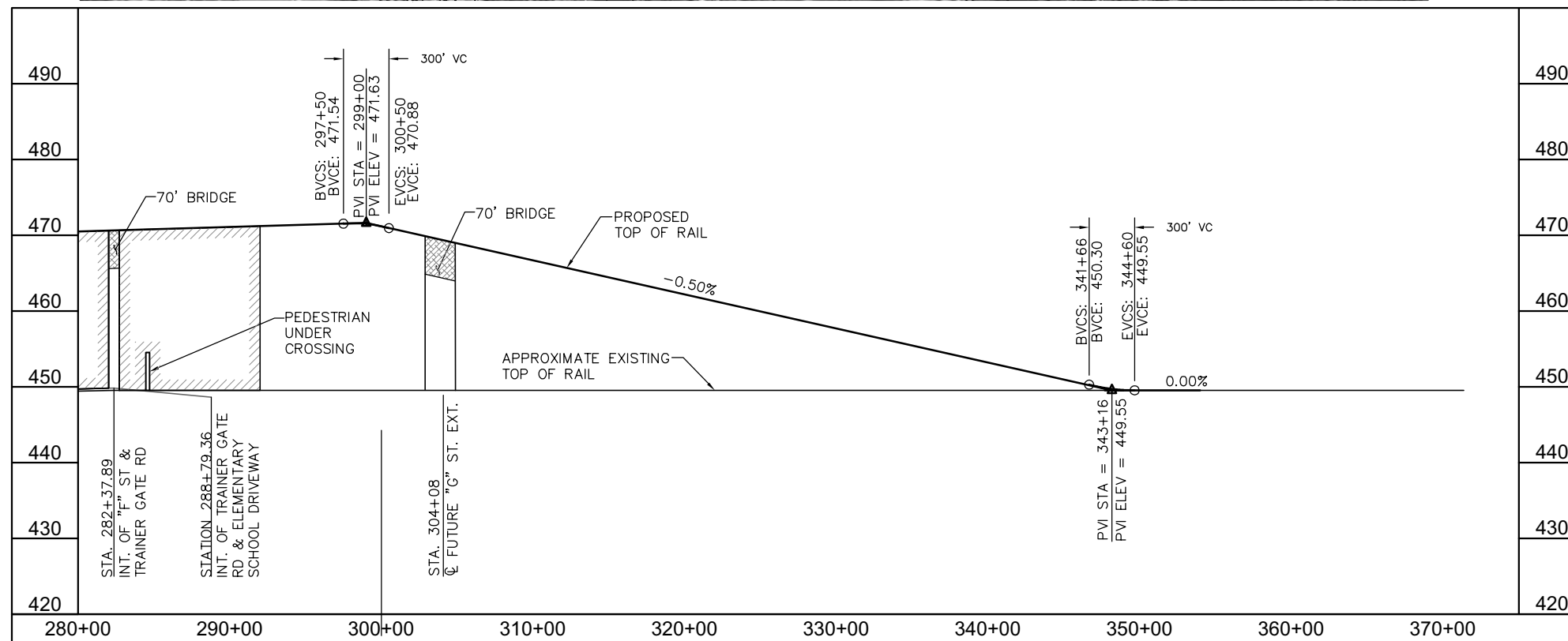
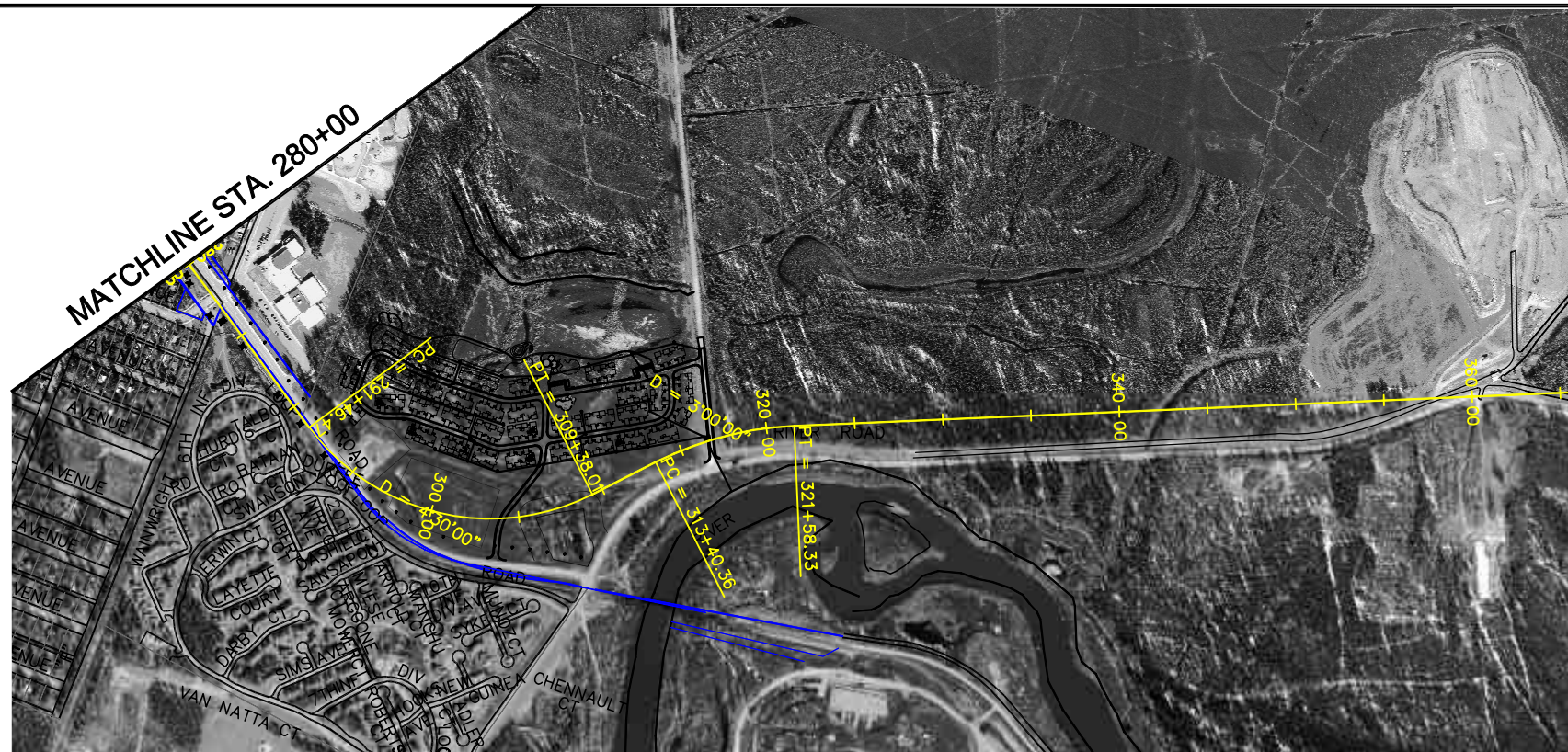
Appendix E



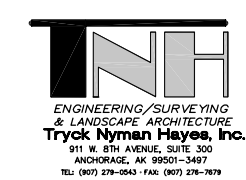
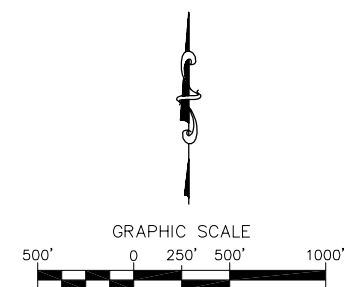
LEGEND	
	Existing Railroad Centerline
	Proposed Railroad Centerline
	Proposed Railroad at Levee
	Existing ROW
	Proposed ROW
	Proposed Bridge (Plan)
	Proposed Bridge (Profile)
	Edge of Pavement



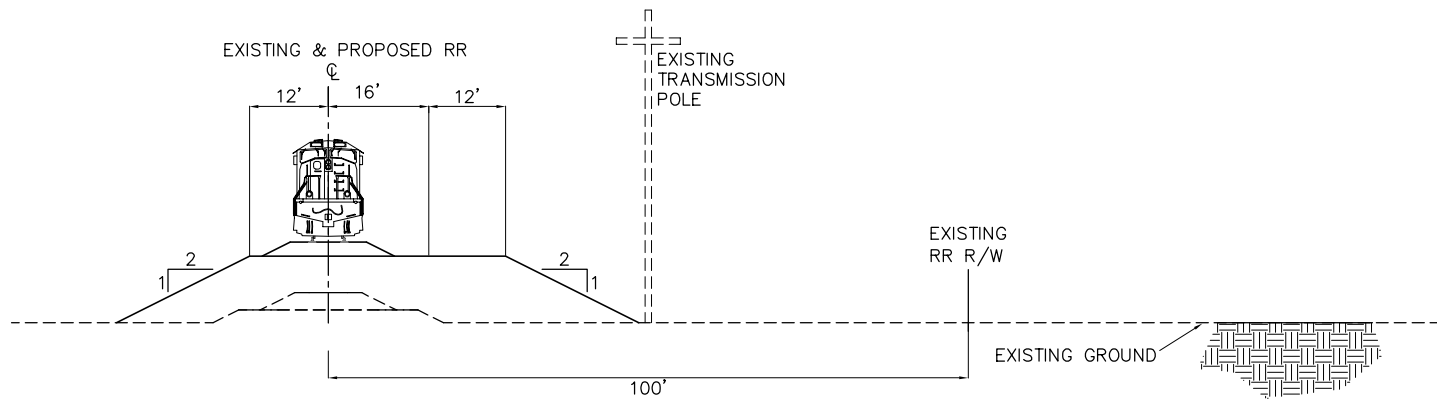
ALASKA RAILROAD CORPORATION OFFICE OF THE CHIEF ENGINEER P.O. BOX 107500, ANCHORAGE, ALASKA 99510-7500 (907) 265-2456		
PROJECT: FAIRBANKS - NORTH POLE REALIGNMENT PHASE III - TECHNICAL ANALYSIS		
TITLE: APPENDIX E-1 TRAINOR GATE ALTERNATE BOP TO STEESE EXPRESSWAY		
DESIGNED BY: _____	SCALE: AS NOTED	AFE NO.: _____
DRAWN BY: _____	DATE: 01-26-2007	ACAD FILE: Trainor Gate PnP P1-
CHECKED BY: _____		PAGE NO. _____
APPROVED BY: _____		E-1 OF P2




LEGEND			
	Existing Railroad Centerline		Proposed Bridge (Plan)
	Proposed Railroad Centerline		Proposed Bridge (Profile)
	Proposed Railroad at Levee		Edge of Pavement
	Existing ROW		
	Proposed ROW		



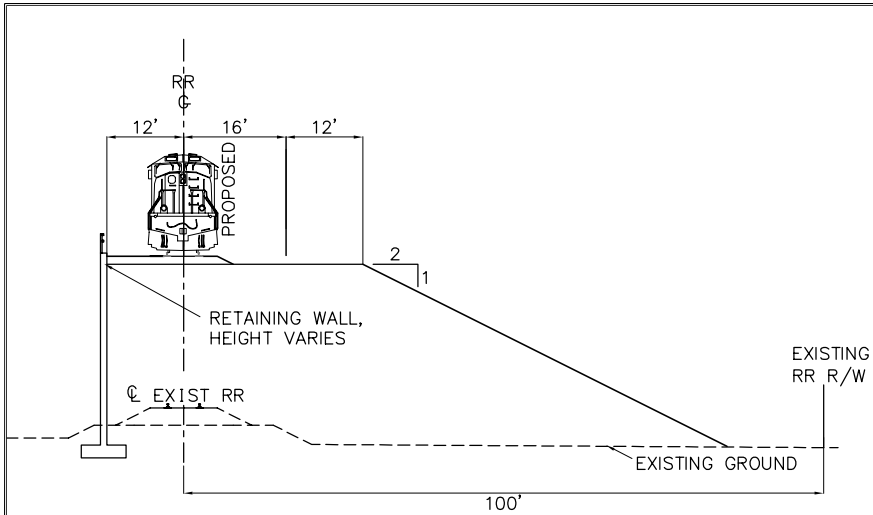
ALASKA RAILROAD CORPORATION OFFICE OF THE CHIEF ENGINEER P.O. BOX 107500, ANCHORAGE, ALASKA 99510-7500 (907) 265-2456		
PROJECT: FAIRBANKS - NORTH POLE REALIGNMENT PHASE III - TECHNICAL ANALYSIS		
TITLE: APPENDIX E-2 TRAINOR GATE ALTERNATE STEESE EXPRESSWAY TO EOP		
DESIGNED BY: _____	SCALE: AS NOTED	AFE NO.: _____
DRAWN BY: _____	DATE: 01-26-2007	ACAD FILE: Trainor Gate PnP P1-
CHECKED BY: _____		PAGE NO. _____
APPROVED BY: _____		E-2 OF P2



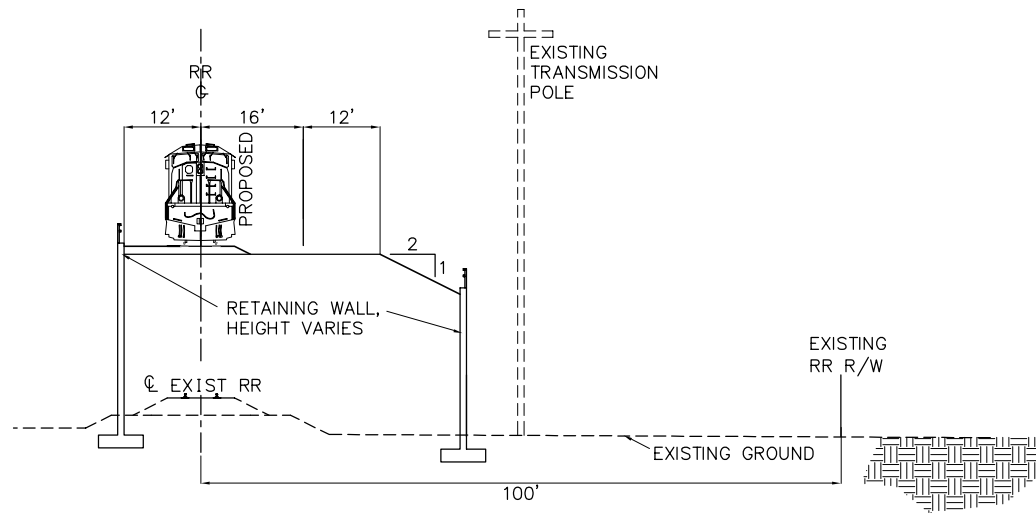
FILL SECTION

	ALASKA RAILROAD CORPORATION OFFICE OF THE CHIEF ENGINEER P.O. BOX 107500, ANCHORAGE, ALASKA 99510-7500 (907) 265-2456	
	PROJECT: FAIRBANKS - NORTH POLE REALIGNMENT PHASE III - TECHNICAL ANALYSIS	
TITLE: APPENDIX E-3 TRAINOR GATE FILL SECTION B.O.P. TO OLD STEESE (GRADING)		AFE NO.: ACAD FILE: Trainer Gate Dbl Trk T
DESIGNED BY: _____ DRAWN BY: _____ CHECKED BY: _____ APPROVED BY: _____	SCALE: AS NOTED DATE: 01-26-2007	PAGE NO. E-3 OF P2

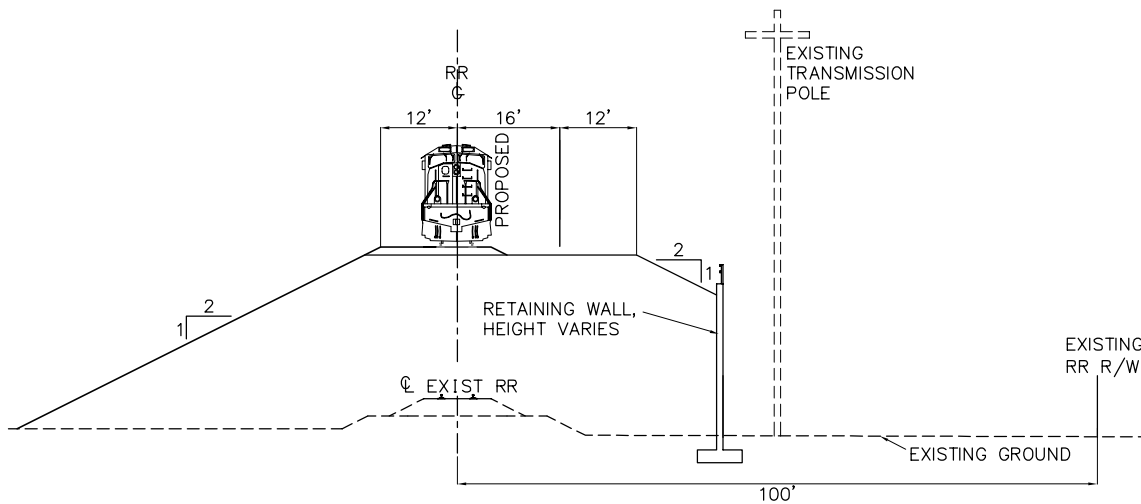

**ENGINEERING/SURVEYING
 & LANDSCAPE ARCHITECTURE**
Tryck Nyman Hayes, Inc.
 811 W. 8TH AVENUE, SUITE 300
 ANCHORAGE, AK 99501-3497
 TEL: (907) 279-0543 - FAX: (907) 276-7679



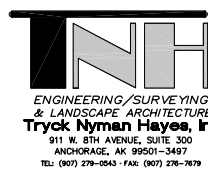
LEFT RETAINED SECTION




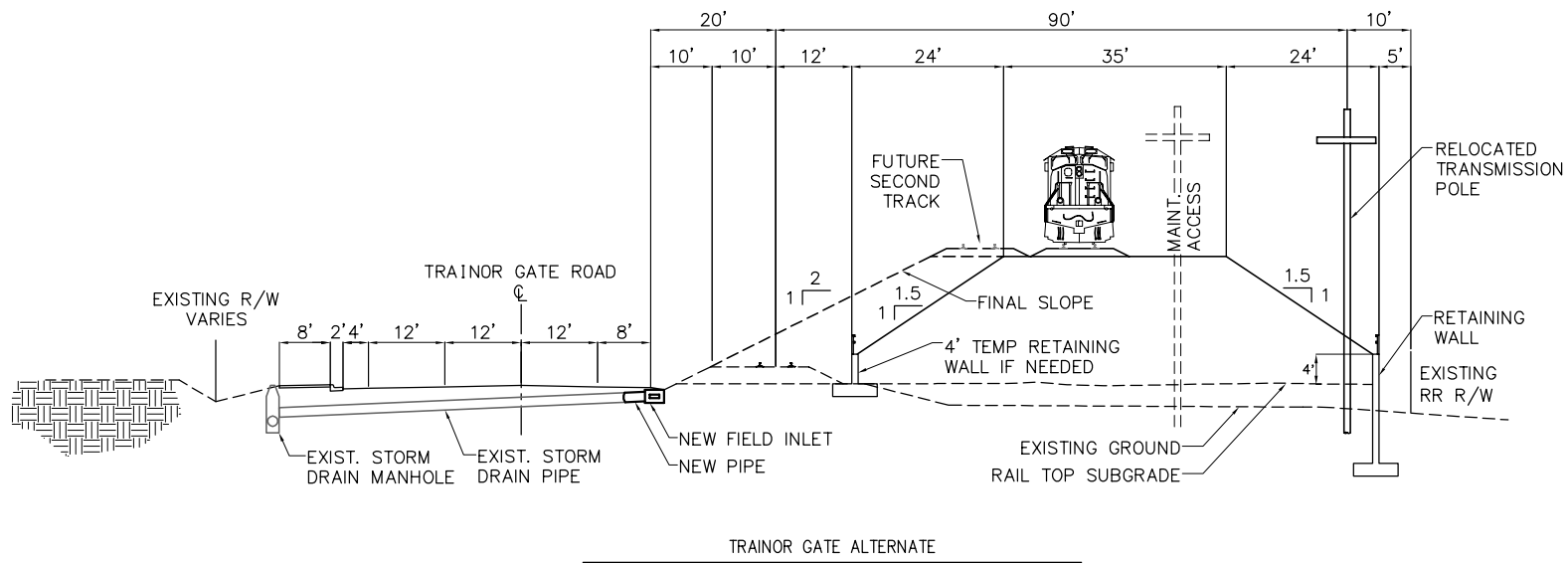
RETAINED SECTION



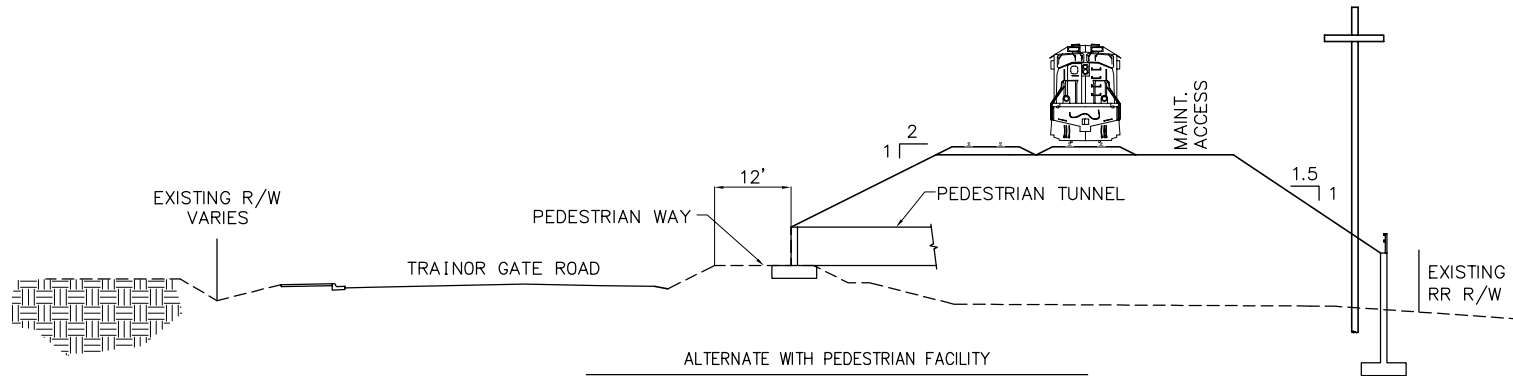
RIGHT RETAINED SECTION



	ALASKA RAILROAD CORPORATION OFFICE OF THE CHIEF ENGINEER P.O. BOX 107500, ANCHORAGE, ALASKA 99510-7500 (907) 265-2456	
	PROJECT: FAIRBANKS - NORTH POLE REALIGNMENT PHASE III - TECHNICAL ANALYSIS	
TITLE: APPENDIX E-4 TRAINOR GATE RETAINED SECTION B.O.P. TO OLD STEESE (WALL)		AFE NO.: _____ ACAD FILE: Trainer Gate Dbl Trk T
DESIGNED BY: _____ DRAWN BY: _____ CHECKED BY: _____ APPROVED BY: _____	SCALE: AS NOTED DATE: 01-26-2007	PAGE NO. E-4 OF P2




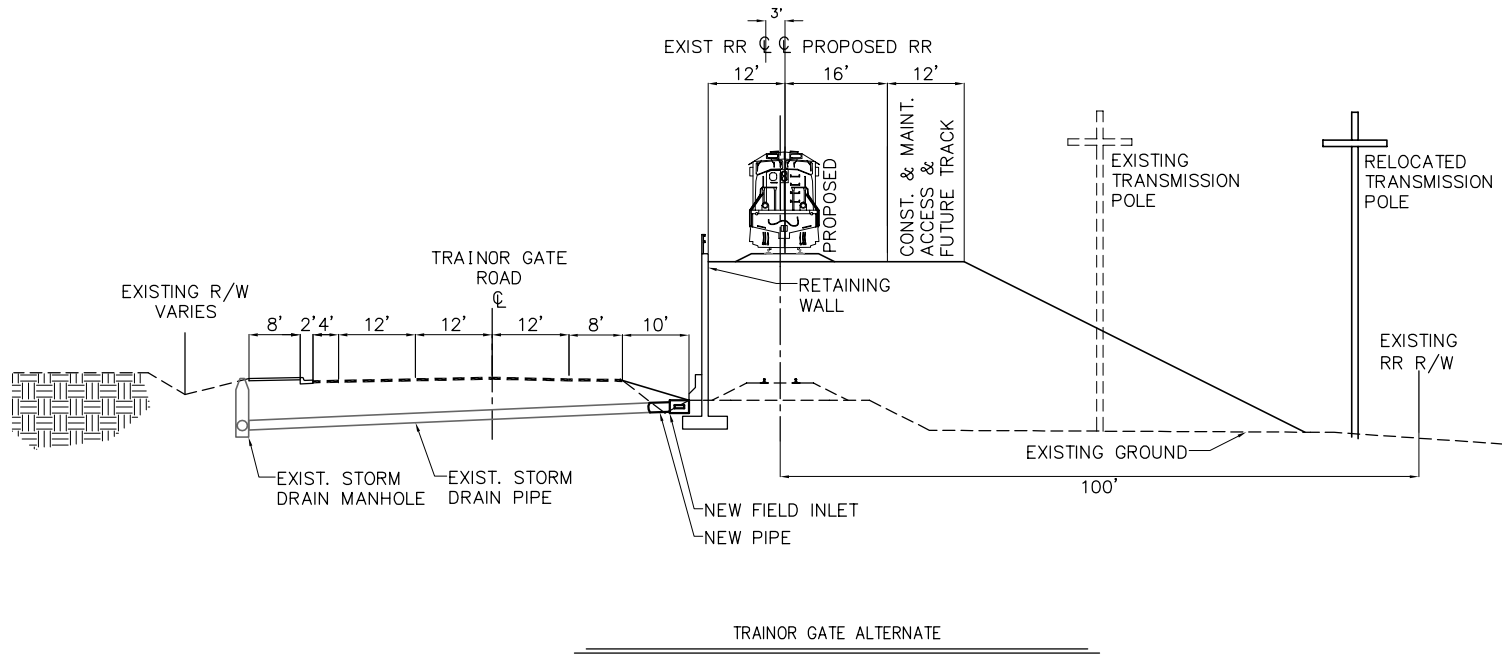
TRAINOR GATE ALTERNATE




ALTERNATE WITH PEDESTRIAN FACILITY



 ALASKA RAILROAD CORPORATION OFFICE OF THE CHIEF ENGINEER P.O. BOX 107500, ANCHORAGE, ALASKA 99510-7500 (907) 265-2456		
PROJECT: FAIRBANKS - NORTH POLE REALIGNMENT PHASE III - TECHNICAL ANALYSIS		
TITLE: APPENDIX E-5 TRAINOR GATE RETAINED SECTION OLD STEESE TO E.O.P. (WALL)		
DESIGNED BY: _____	SCALE: AS NOTED	AFE NO.:
DRAWN BY: _____	DATE: 01-26-2007	ACAD FILE: Trainor Gate Dbl Trk T
CHECKED BY: _____		PAGE NO.
APPROVED BY: _____		E-5 OF P2



TRAINOR GATE ALTERNATE

	ALASKA RAILROAD CORPORATION OFFICE OF THE CHIEF ENGINEER P.O. BOX 107500, ANCHORAGE, ALASKA 99510-7500 (907) 265-2456	
	PROJECT: FAIRBANKS - NORTH POLE REALIGNMENT PHASE III - TECHNICAL ANALYSIS	
TITLE: APPENDIX E-6 TRAINOR GATE RETAINED SECTION OLD STEESE TO E.O.P. (WALL)		AFE NO.: _____ ACAD FILE: Trainer Gate.dwg PAGE NO.: _____
DESIGNED BY: _____ DRAWN BY: _____ CHECKED BY: _____ APPROVED BY: _____	SCALE: AS NOTED DATE: 01-26-2007	E-6 OF P2


Tryck Nyman Hayes, Inc.
 ENGINEERING/SURVEYING
 & LANDSCAPE ARCHITECTURE
 811 W. 8TH AVENUE, SUITE 300
 ANCHORAGE, AK 99501-3497
 TEL: (907) 279-0543 - FAX: (907) 276-7679