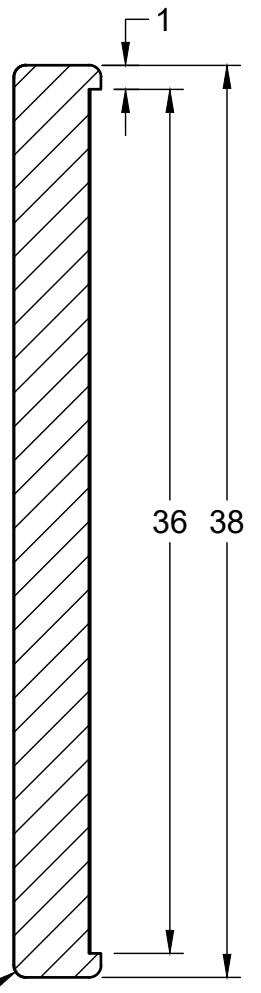


TOP VIEW

ARR 352 DINING SEAT BACK CUSHION

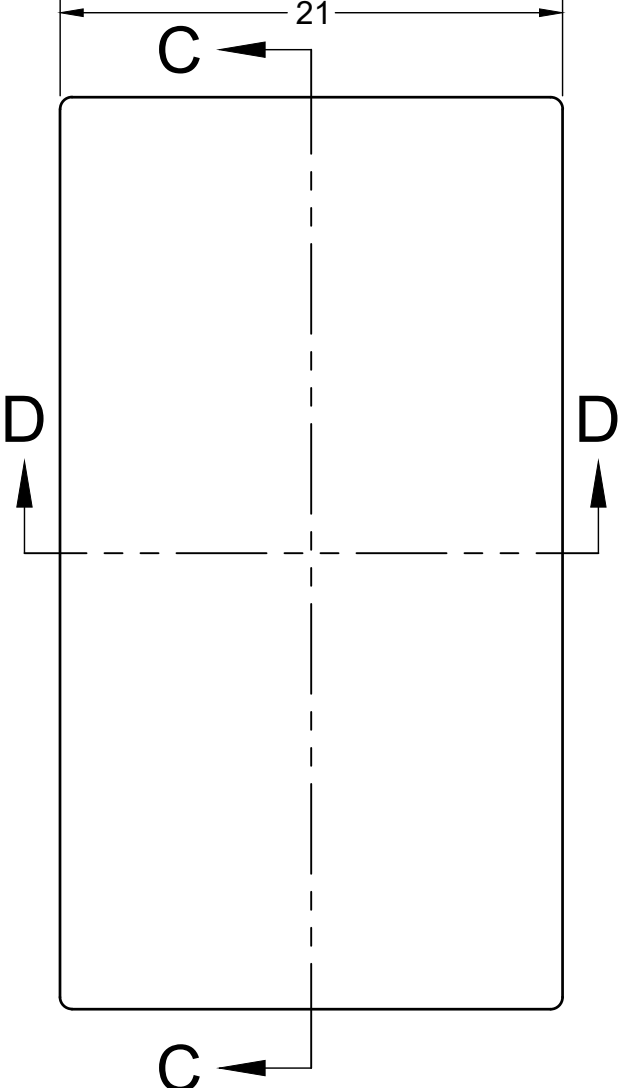
PN: ARR-352-0004

MATERIAL: DUAL FIRMNESS, SOFT & HI-MEDIUM



R.5 TYP

SECTION A-A
SCALE 1:8

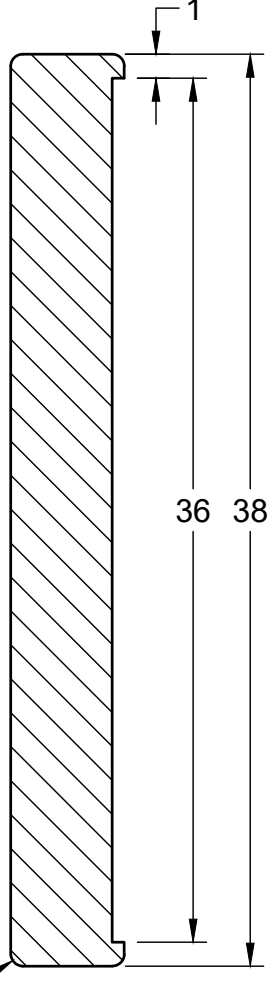


TOP VIEW

ARR 352 DINING SEAT BOTTOM CUSHION

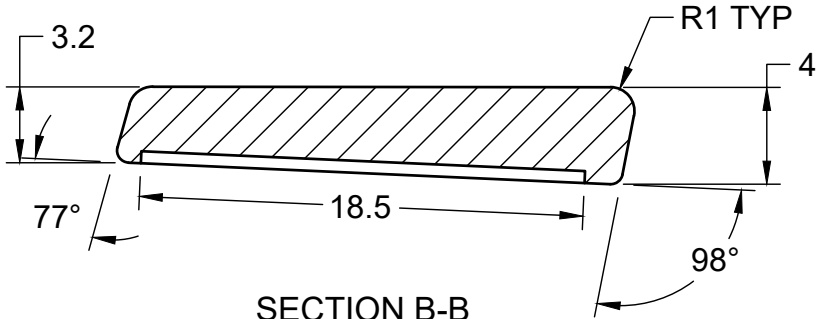
PN: ARR-352-0005

MATERIAL: DUAL FIRMNESS, SOFT & HI-MEDIUM

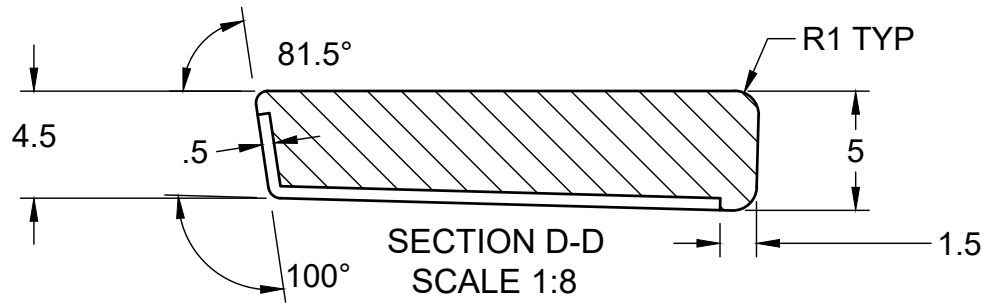


R.5 TYP

SECTION C-C
SCALE 1:8



SECTION B-B
SCALE 1:8



SECTION D-D
SCALE 1:8

NOTES:

1. ALL MATERIALS MUST MEET OR EXCEED THE SPECIFICATIONS SET FORTH IN 49CFR PART 238 FOR USE IN PASSENGER CARS.
2. SEE FOAM TEMPLATE FILES FOR COMPLETE SHAPE DEFINITION.



ALASKA RAILROAD
CORPORATION
ENGINEERING SERVICES

PROJECT			MOTIVE POWER AND EQUIPMENT PASSENGER COACHES
TITLE			ARR 352 DINING SEAT FOAM CUSHIONS TOP & SECTION VIEWS
APPROVED ARRC	SCALE 1:8	SHEET 1/1	
CHECKED ARRC	DATE 9/20/2022		
DRAWN CDL			