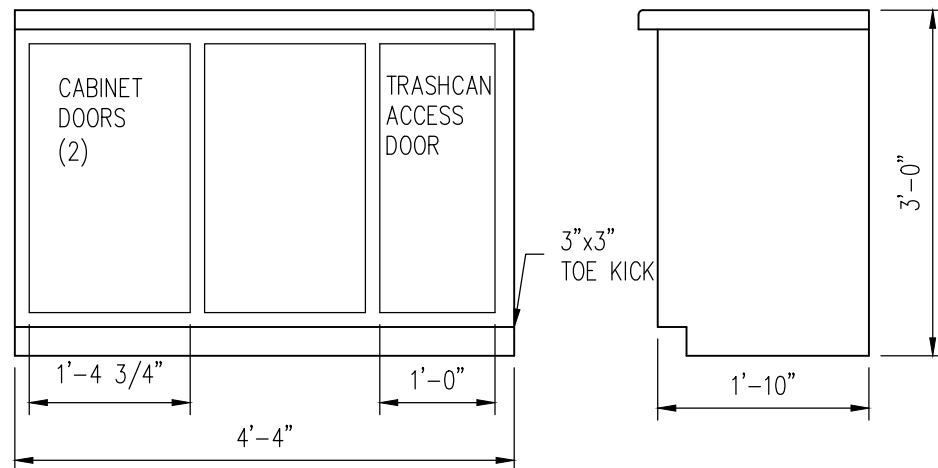
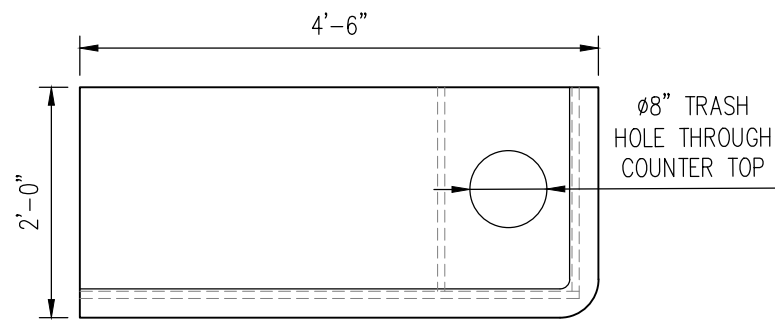
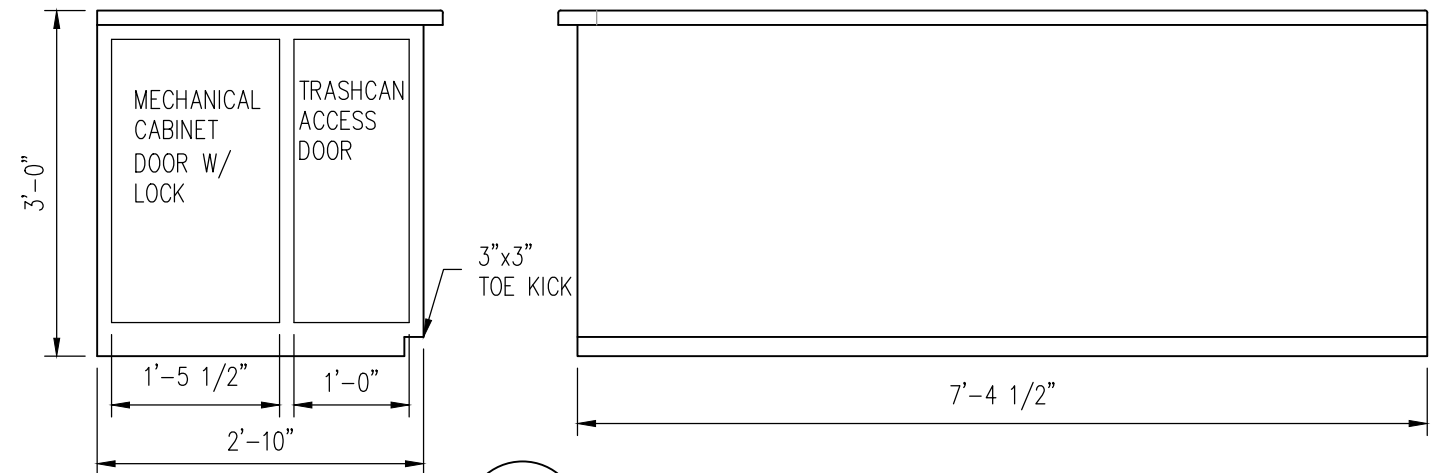
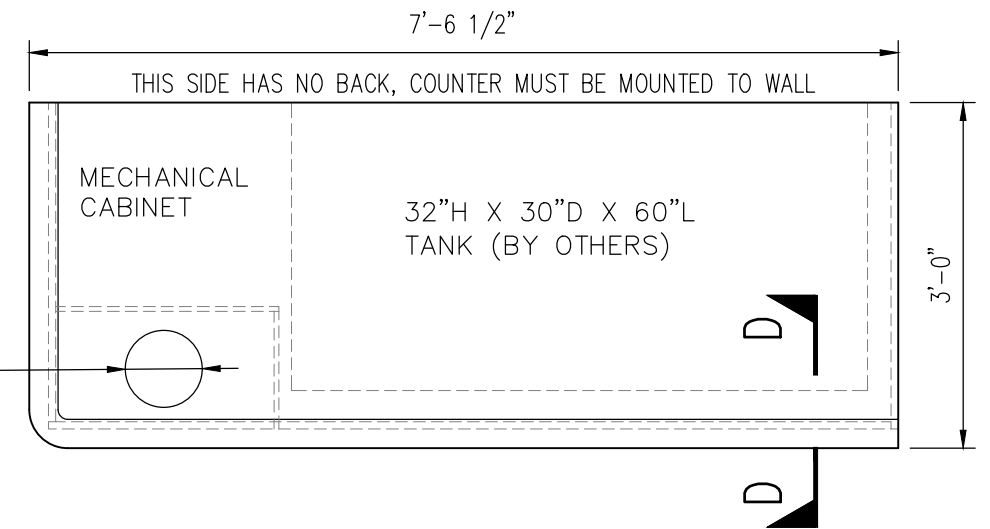


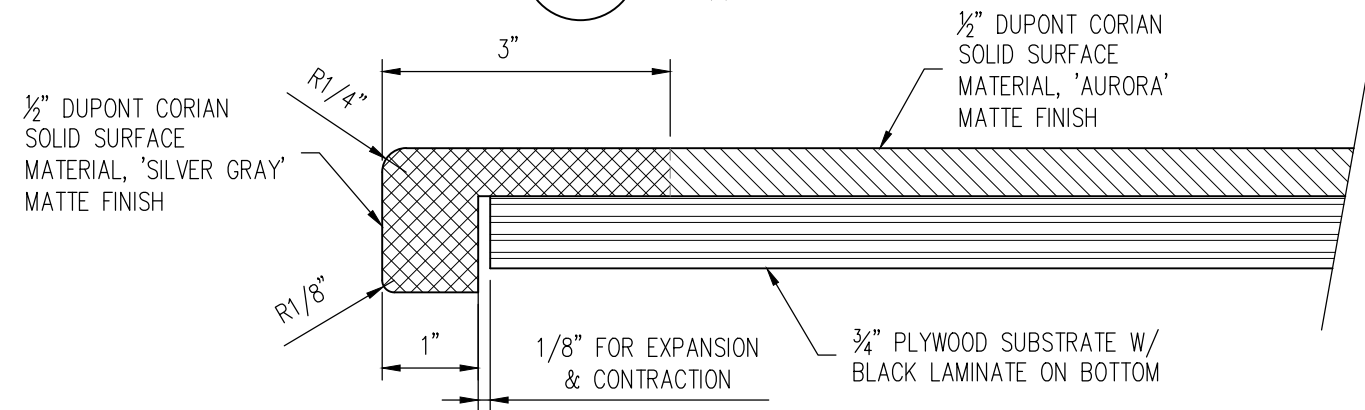
A
1
ARR 352 CONDIMENT CABINET & COUNTER
QTY (1) REQUIRED



B
1
ARR 352 TRASH CABINET & PREP COUNTER
QTY (1) REQUIRED



C
1
ARR 352 WATER TANK CABINET & COUNTER
QTY (1) REQUIRED



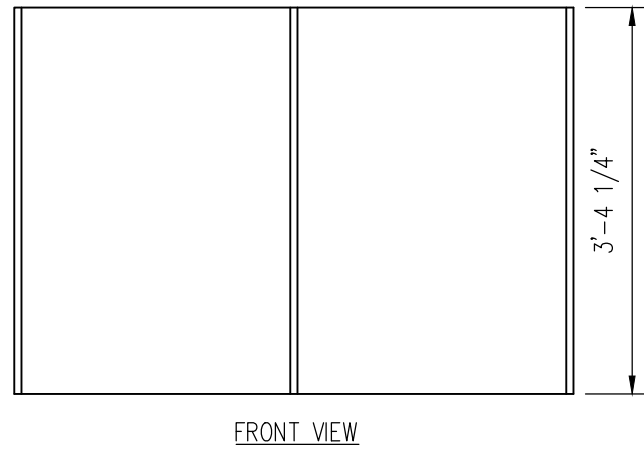
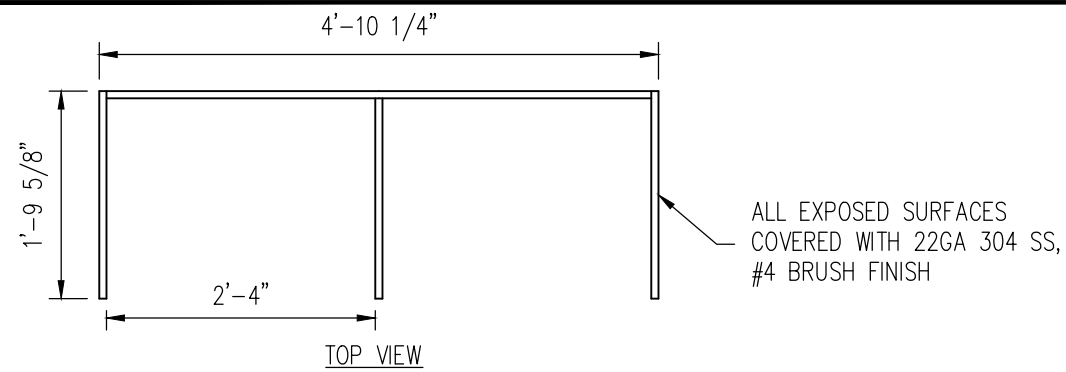
D
1
SECTION D - TYPICAL COUNTER TOP DETAIL
SCALE: NTS

NOTES:

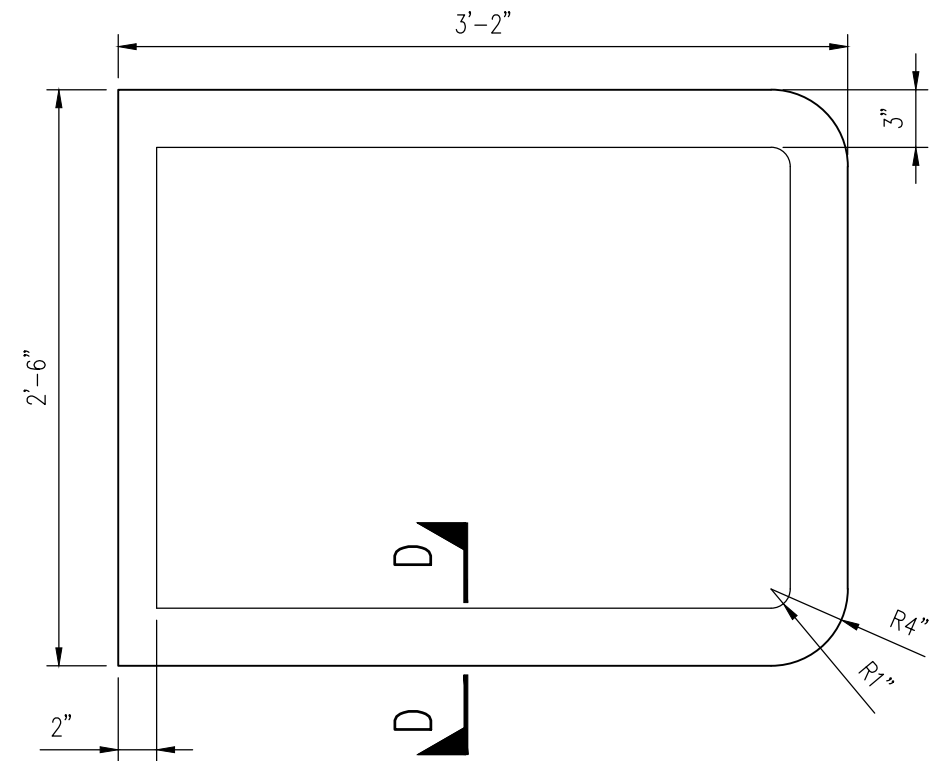
1. CABINET BOXES TO BE MADE FROM 3/4" CABINET GRADE PLYWOOD.
2. ALL DOORS SHALL BE FLUSH W/ CABINET BODY AND INSTALLED WITH SOFT-CLOSE HINGES.
3. ALL EXPOSED EXTERIOR SURFACES TO BE LAMINATED WITH FORMICA 920-58 'ALMOND', MATTE FINISH, ALL REMAINING SURFACES COVERED WITH WHITE LAMINATE.
4. ALL DIMENSIONS TO BE VERIFIED BY MANUFACTURER BEFORE COMMENCING WORK.
5. PROVIDE FOUR SHELVES PER CABINET EXCEPT FOR TRASH & MECHANICAL CABINETS.

ALASKA RAILROAD CORPORATION ENGINEERING SERVICES P.O. BOX 107500, ANCHORAGE, ALASKA 99510-7500		
PROJECT : MOTIVE POWER AND EQUIPMENT PASSENGER EQUIPMENT		
TITLE: ARR 352 INTERIOR REFRUBISHMENT CABINETS AND COUNTER TOPS		
DESIGNED BY: CDL	SCALE : NTS	AFE NO.: 10970 2022 FTA
DRAWN BY: CDL	DATE : NOVEMBER 2022	ACAD FILE:
CHECKED BY: ARRC		DWG NO. 1 OF 2
APPROVED BY: ARRC		

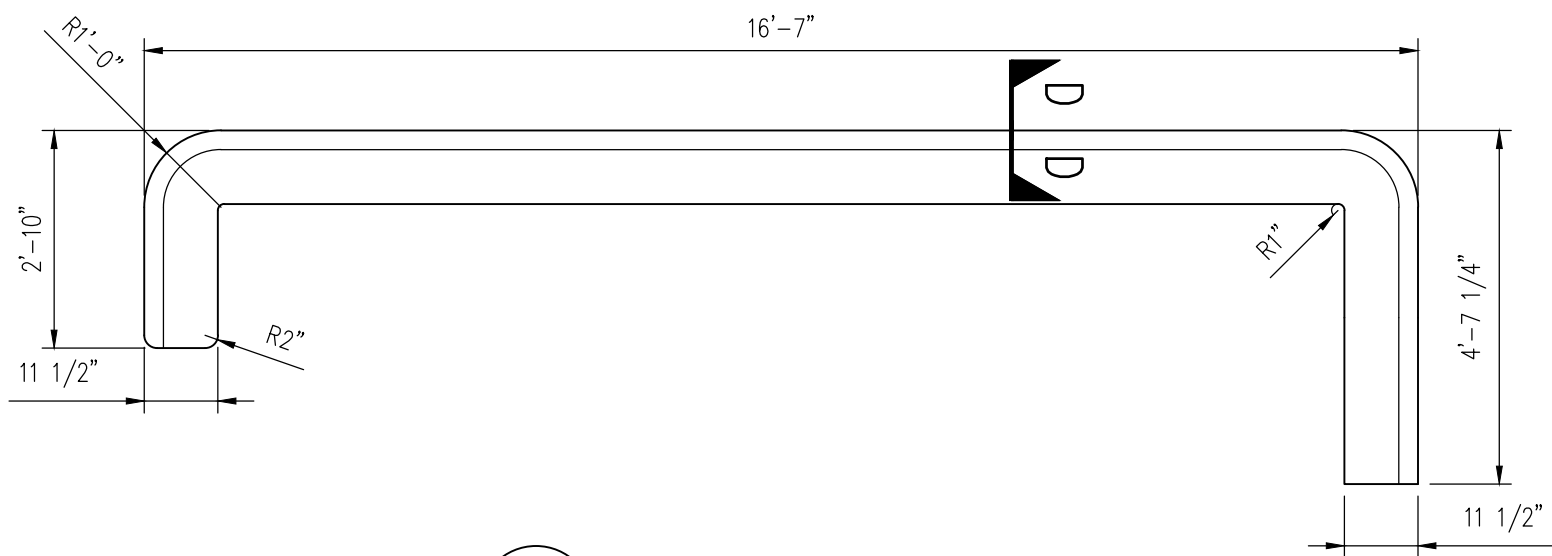
P:\Engineering\Motive Power and Equipment\2. Passenger\Passenger Equipment Rehab\2022 Projects\ARR 352 Interior Refresh\ARR 352 Proposed Arrangement.dwg



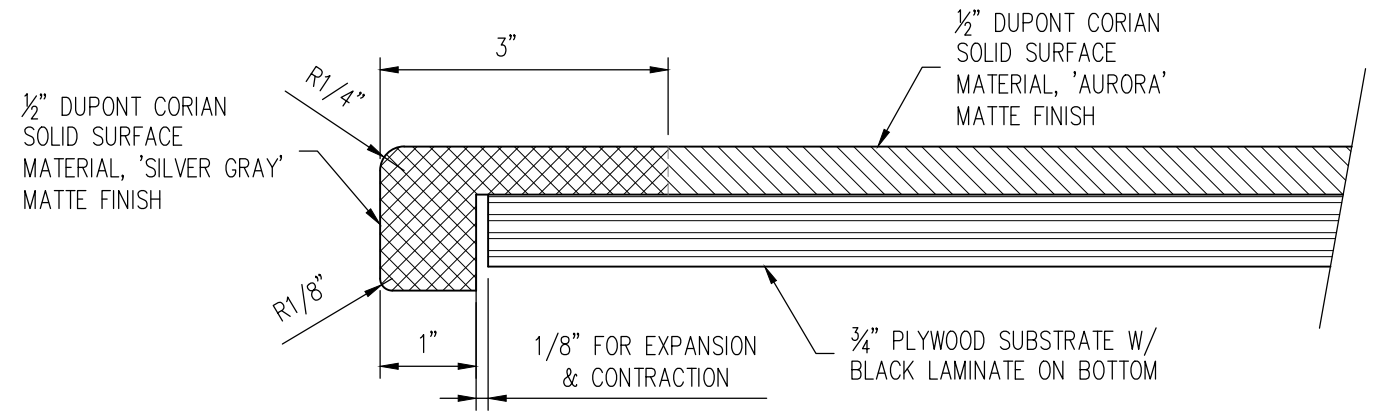
A
2 ARR 352 UNDER-COUNTER REFRIGERATION CABINET
CONSTRUCTED FROM 3/4" CABINET GRADE PLYWOOD, QTY (1) REQUIRED



B
2 ARR 352 DINING TABLE
QTY (7) REQUIRED



C
2 ARR 352 GALLEY COUNTER TOP
QTY (1) REQUIRED



D
2 SECTION D - DINING TABLE & COUNTER TOP DETAIL
SCALE: NTS

ALASKA RAILROAD CORPORATION ENGINEERING SERVICES P.O. BOX 107500, ANCHORAGE, ALASKA 99510-7500		
PROJECT : MOTIVE POWER AND EQUIPMENT PASSENGER EQUIPMENT		
TITLE: ARR 352 INTERIOR REFURBISHMENT DINING TABLES & COUNTER TOP		
DESIGNED BY: CDL	SCALE : NTS	AFE NO.: 10970 2022 FTA
DRAWN BY: CDL	DATE : NOVEMBER 2022	ACAD FILE:
CHECKED BY: ARRC		DWG NO. 2 OF 2
APPROVED BY: ARRC		