



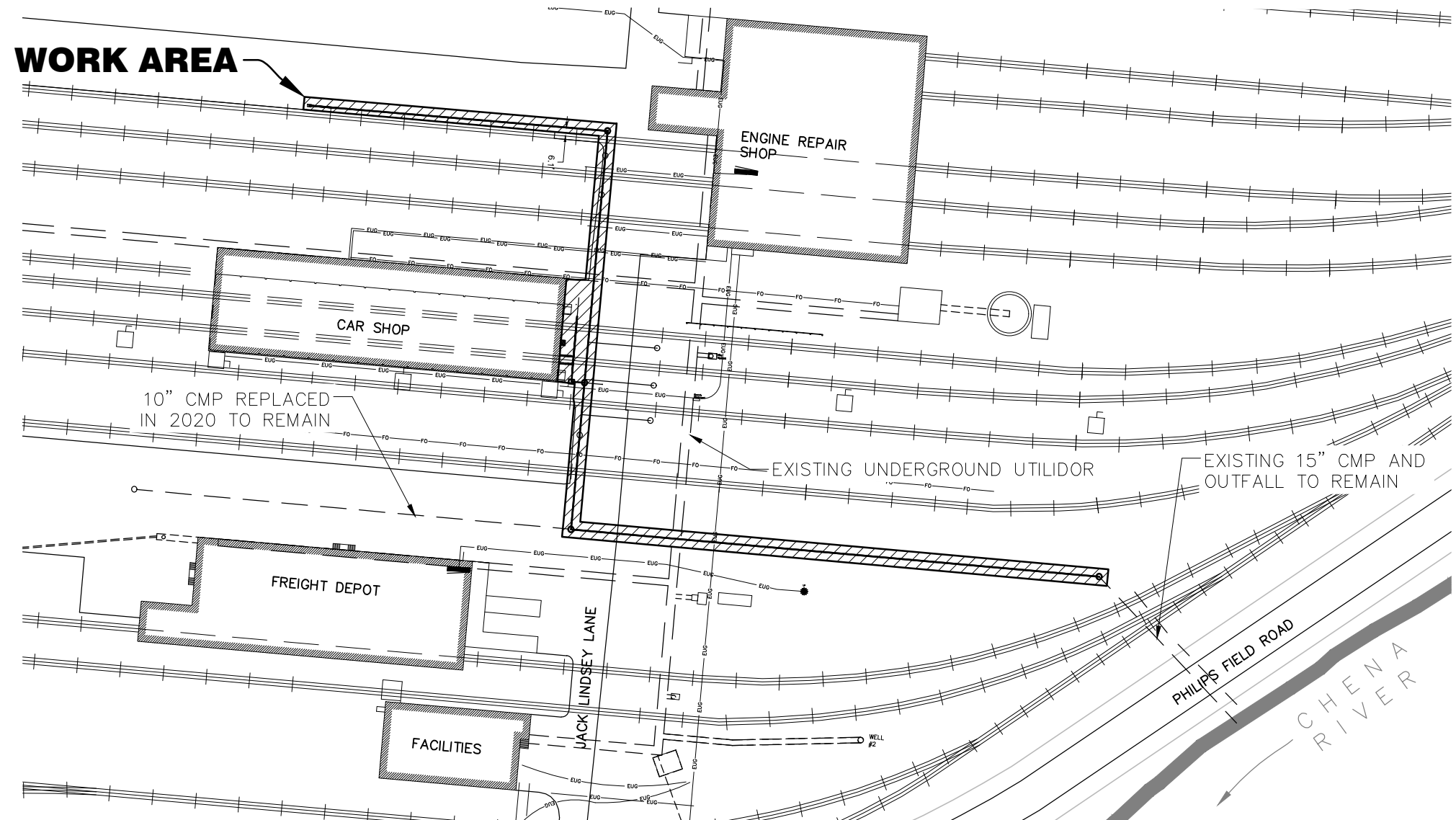
Alaska Railroad Corporation

2022 FAIRBANKS RAILYARD DRAINAGE REHABILITATION

WORK UNDER THIS PROJECT SCOPE INCLUDES INSTALLATION AND REPLACEMENT OF STORM DRAIN PIPE AND STRUCTURES THROUGHOUT THE YARD AREA.

DRAWING INDEX:

DRAWING NO.	ID	DESCRIPTION
1	T1	TITLE SHEET (THIS DRAWING)
2	P1	SITE PLAN
3	P2	PLAN AND PROFILE SHEET 1
4	P3	PLAN AND PROFILE SHEET 2
5	P4	PLAN AND PROFILE SHEET 3
6	G1	CAR SHOP GRADING PLAN
7	D1	EXISTING UTILITY DETAILS
8	D2	PROPOSED STORM DRAIN DETAILS
9	D3	TRACK SECTION DETAILS



SAFETY

Mandatory Minimum Personal Protective Equipment (PPE):

All contractor personnel shall at all times wear at least:

- Hard hats
- Safety glasses
- Safety toe work boots
- Reflective vests

Contractor shall have and comply with a Trenching Plan meeting OSHA requirements at all times.

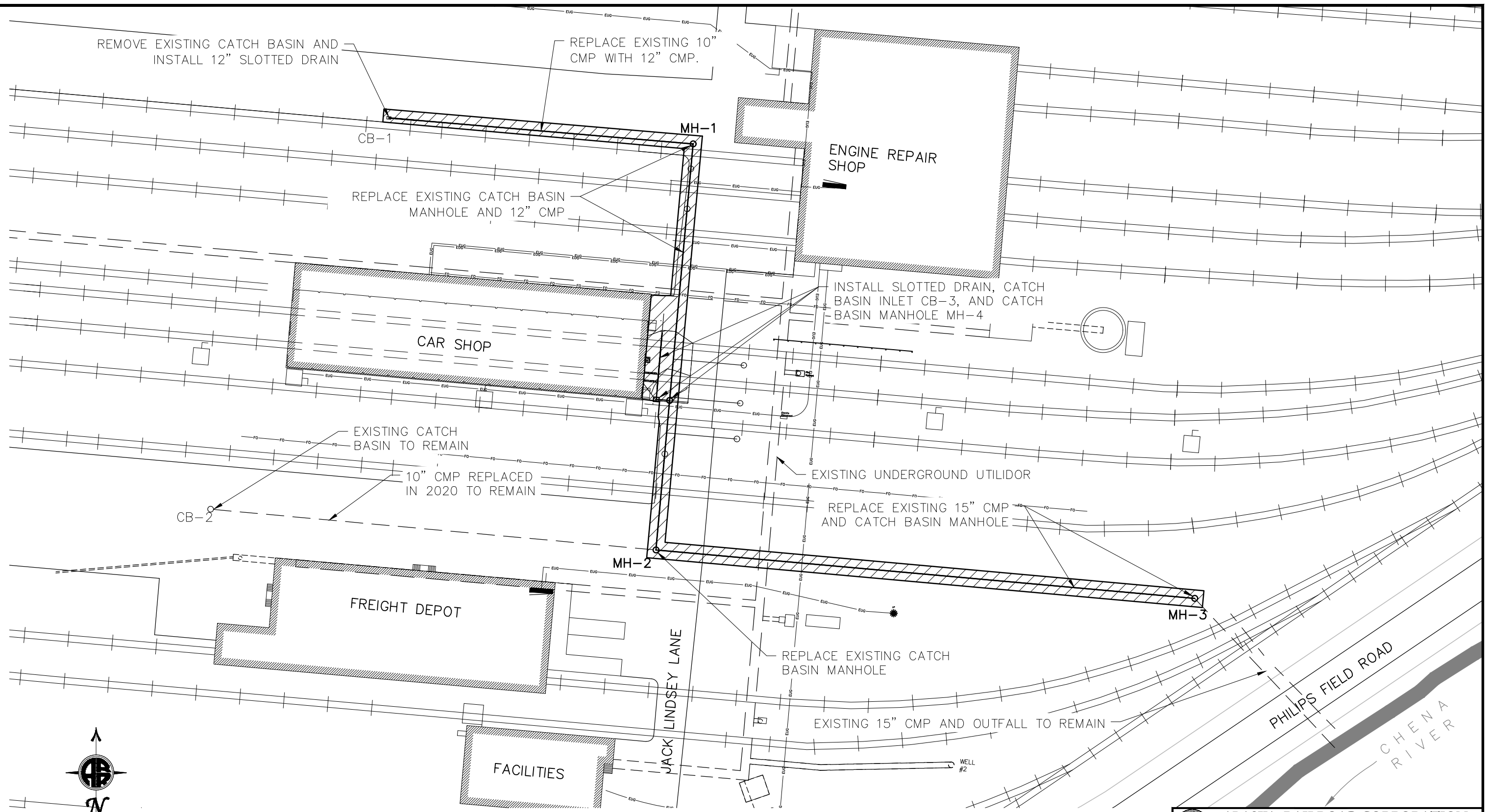
All workers shall attend a preconstruction safety meeting given by Alaska Railroad.



GRAPHIC SCALE

REV.	DATE	BY	REVISION

ALASKA RAILROAD CORPORATION ENGINEERING SERVICES P.O. BOX 107500, ANCHORAGE, ALASKA 99510-7500		
PROJECT : FAIRBANKS RAILYARD DRAINAGE REHABILITATION		
TITLE: TITLE SHEET		
DESIGNED BY: ARRC	SCALE : AS NOTED	AFE NO.: 10918
DRAWN BY: BLG	DATE : 2/1/2022	ACAD FILE:
CHECKED BY: CDR		DWG NO. 1 OF 9
APPROVED BY: ARRC		



FAIRBANKS CAR SHOP STORM DRAIN PLAN
NO SCALE

- NOTES:
1. MINIMIZE ASPHALT CUTTING TO EXTENT REQUIRED TO EXCAVATE, REPLACE, AND INSTALL PIPES AND STRUCTURES.
 2. MATCH EXISTING ASPHALT GRADES AND GRADE AREAS AROUND INLETS TO DRAIN TO THE INLET.
 3. REMOVE AND REPLACE EXISTING SIGNS AND ABOVE GROUND STRUCTURES AS REQUIRED TO CONDUCT WORK.

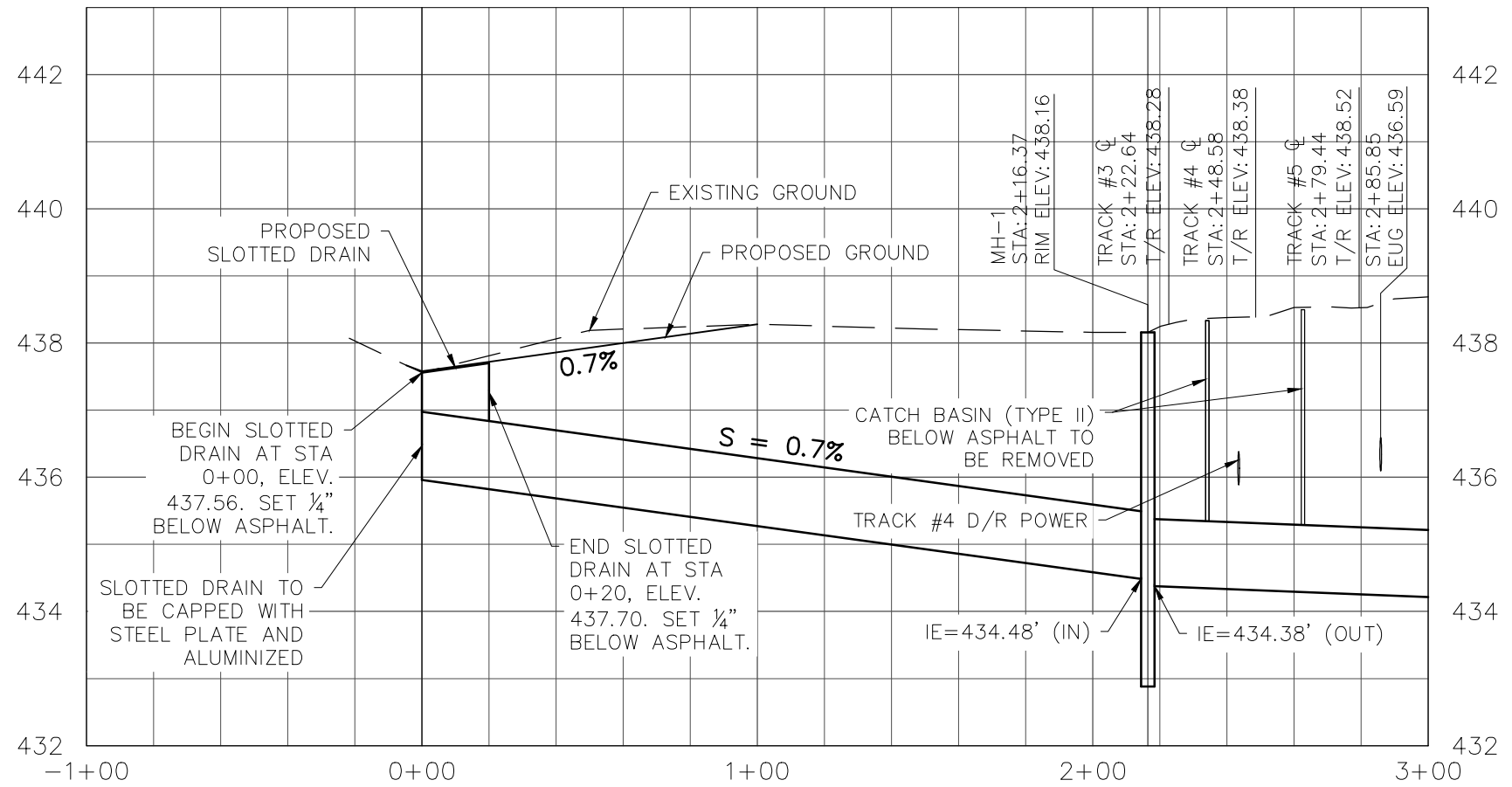
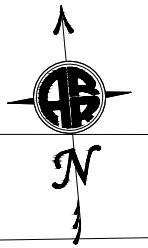
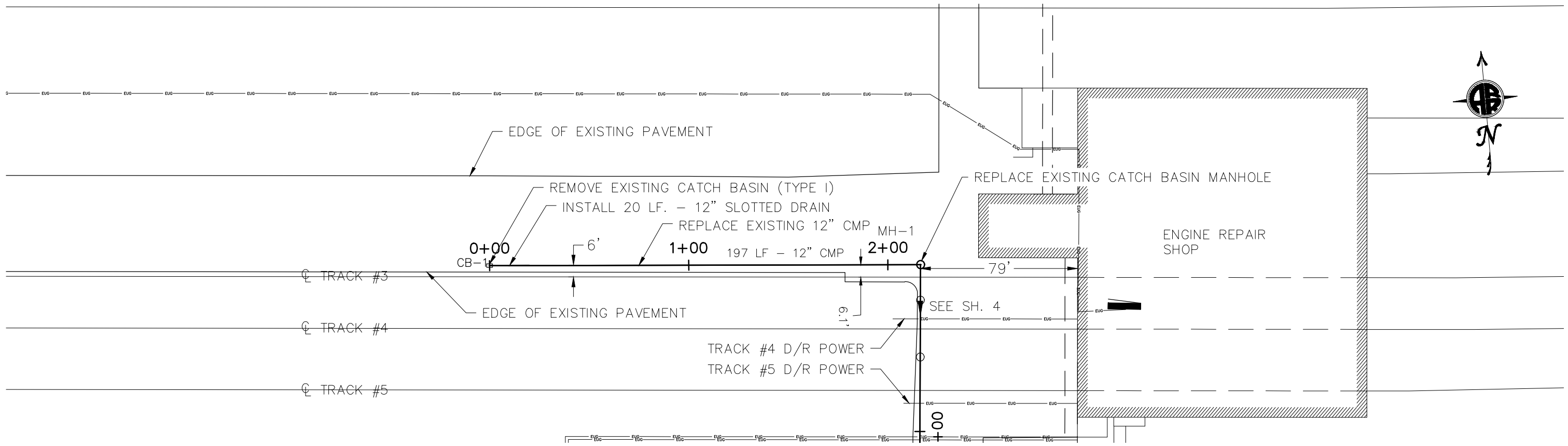
**BEFORE YOU DIG
CALL FOR FREE
UNDERGROUND
LOCATION**


Locate Call Center of Alaska
Anchorage Area.....278-3121
Statewide.....800-478-3121
who will notify subscribed utilities only.
Other utilities need to be contacted
individually.

COORDINATE WITH ALASKA RAILROAD CORPORATION FOR LOCATES OF BURIED UTILITIES WITHIN RAILYARD.

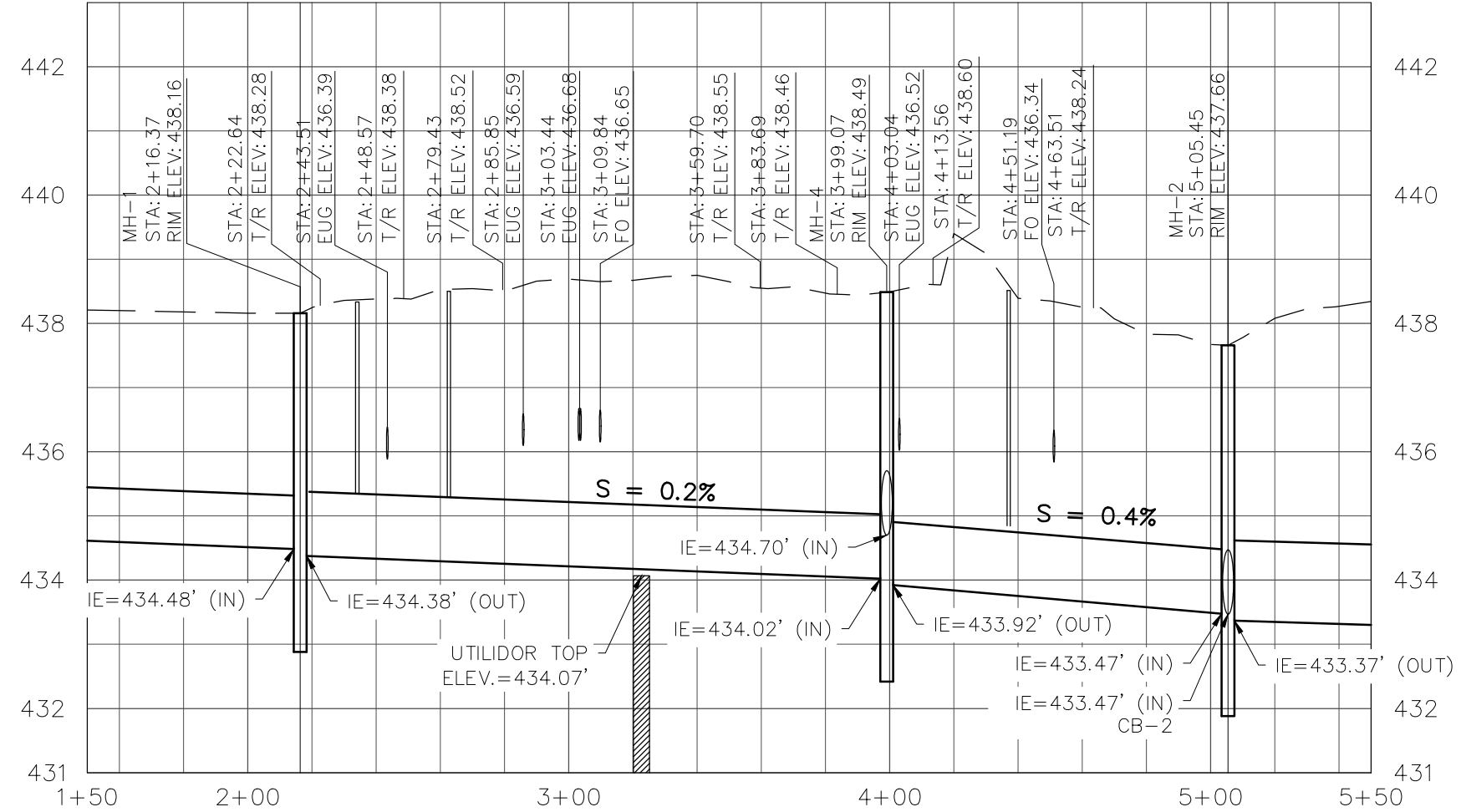
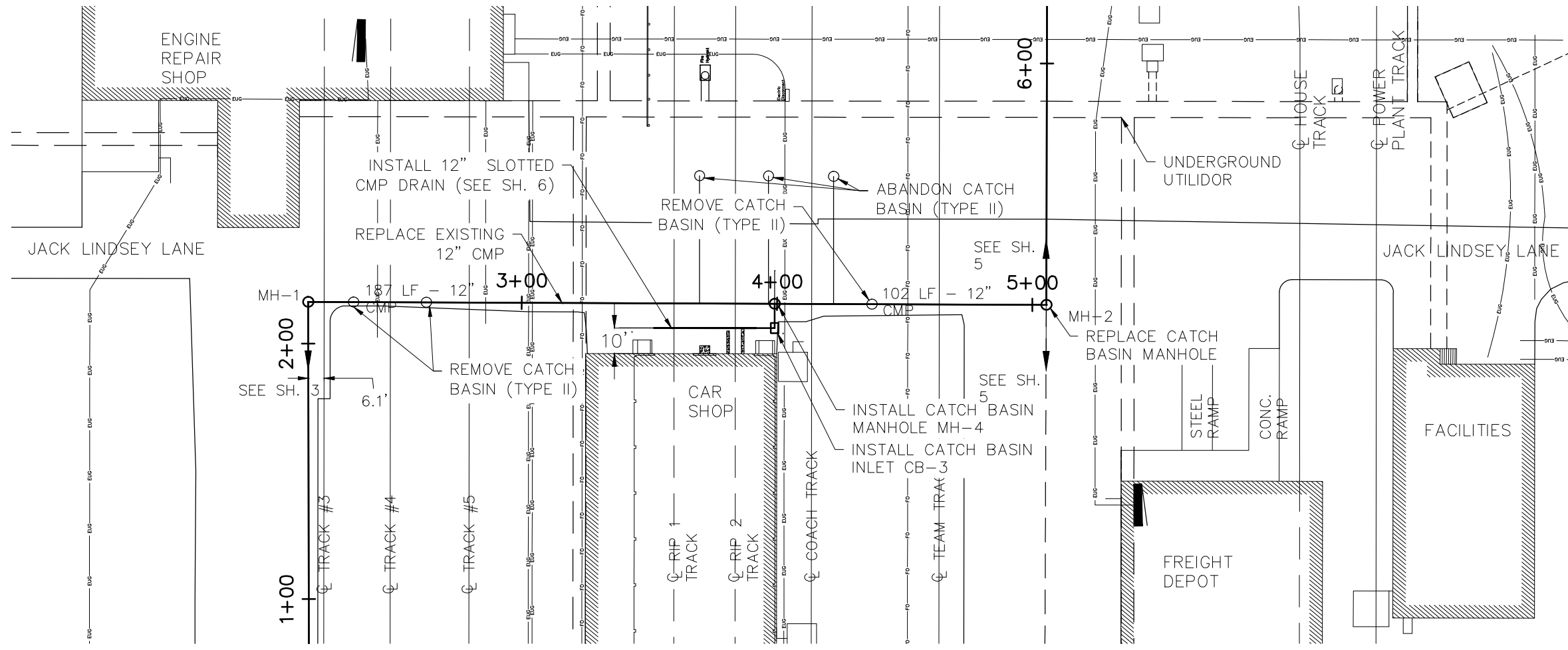
REV.	DATE	BY	REVISION

ALASKA RAILROAD CORPORATION ENGINEERING SERVICES P.O. BOX 107500, ANCHORAGE, ALASKA 99510-7500		
PROJECT : FAIRBANKS RAILYARD DRAINAGE REHABILITATION		
TITLE: SITE PLAN		
DESIGNED BY: ARRC	SCALE : AS NOTED	AFE NO.: 10918
DRAWN BY: BLG	DATE : 2/1/2022	ACAD FILE:
CHECKED BY: CDR		DWG NO.
APPROVED BY: ARRC		2 OF 9



 ALASKA RAILROAD CORPORATION ENGINEERING SERVICES P.O. BOX 107500, ANCHORAGE, ALASKA 99510-7500		
PROJECT : FAIRBANKS RAILYARD DRAINAGE REHABILITATION		
TITLE: PLAN AND PROFILE		
DESIGNED BY: ARRC	SCALE : AS NOTED	AFE NO.: 10918
DRAWN BY: BLG	DATE : 2/1/2022	ACAD FILE:
CHECKED BY: CDR		DWG NO.
APPROVED BY: ARRC		3 OF 9

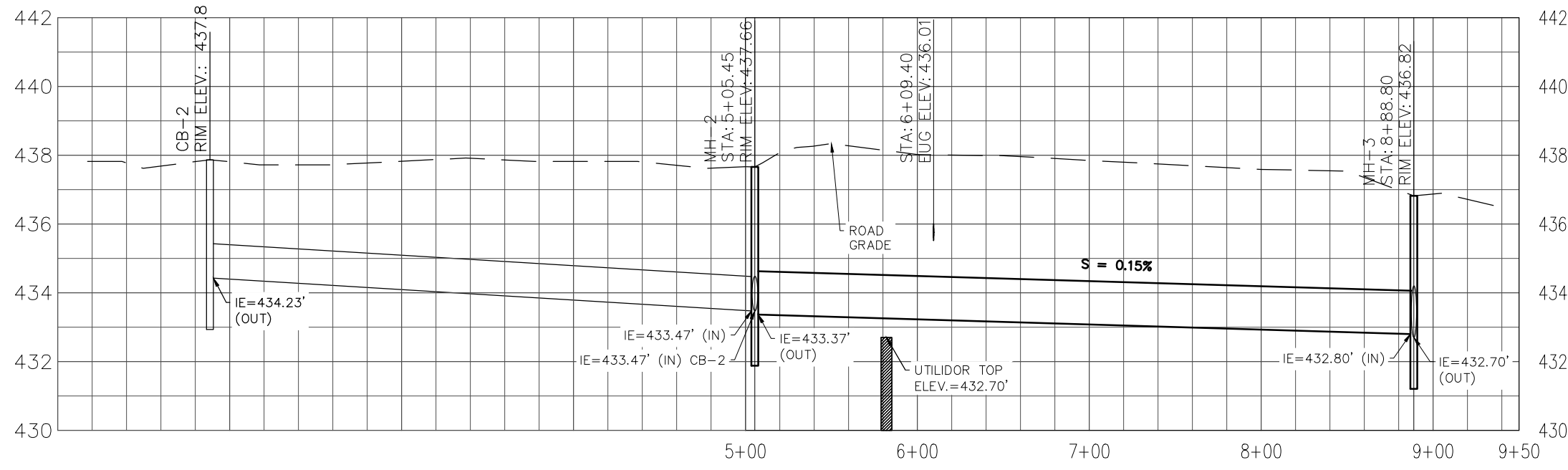
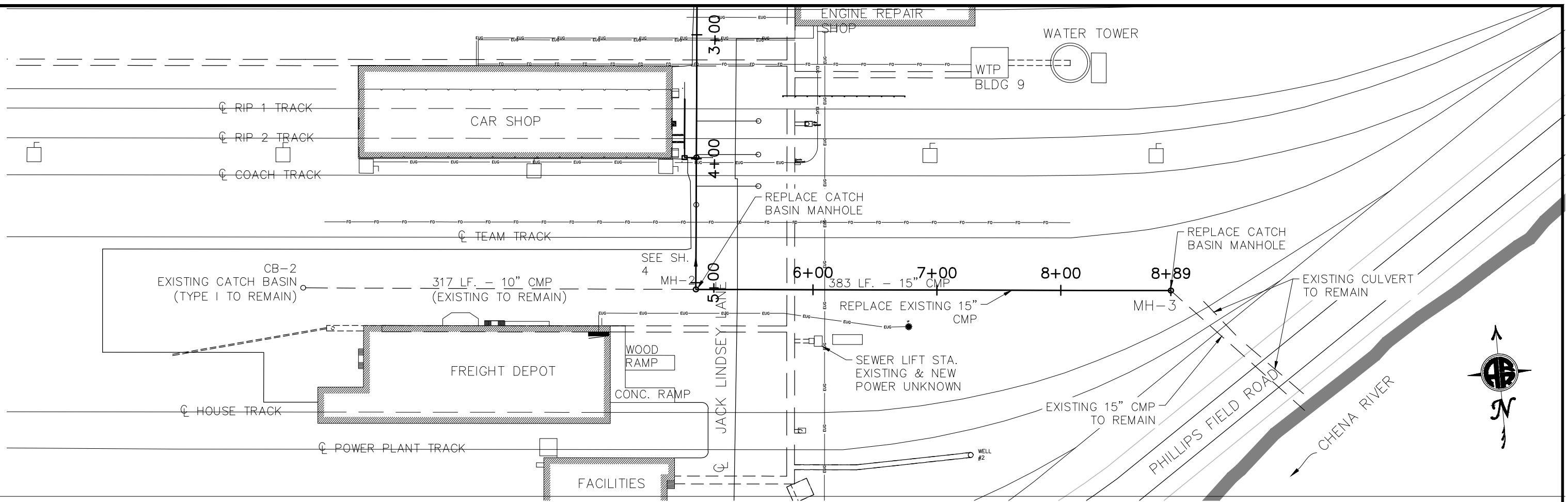
REV.	DATE	BY	REVISION



REV.	DATE	BY	REVISION

ALASKA RAILROAD CORPORATION ENGINEERING SERVICES P.O. BOX 107500, ANCHORAGE, ALASKA 99510-7500		
PROJECT : FAIRBANKS RAILYARD DRAINAGE REHABILITATION		
TITLE: PLAN AND PROFILE		
DESIGNED BY: ARRC	SCALE : AS NOTED	AFE NO.: 10918
DRAWN BY: BLG	DATE : 2/1/2022	ACAD FILE:
CHECKED BY: CDR		DWG NO.
APPROVED BY: ARRC		4 OF 9

P:\Engineering\Buildings\MP_470 Fairbanks\47007 CAR SHOP\2021 Storm Drain Replacement\FBX-CARSHOP-StormDrain.dwg VPort: SHEET 5 Plot Style: 750C-Half.ctb

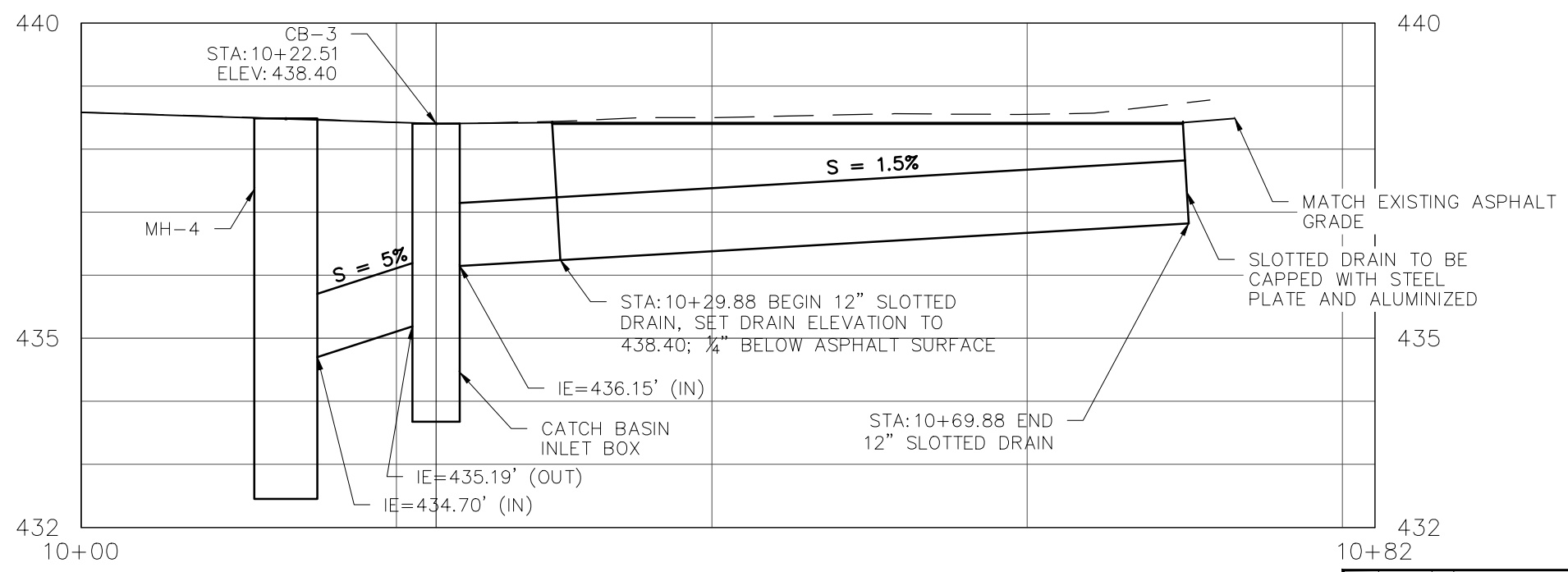
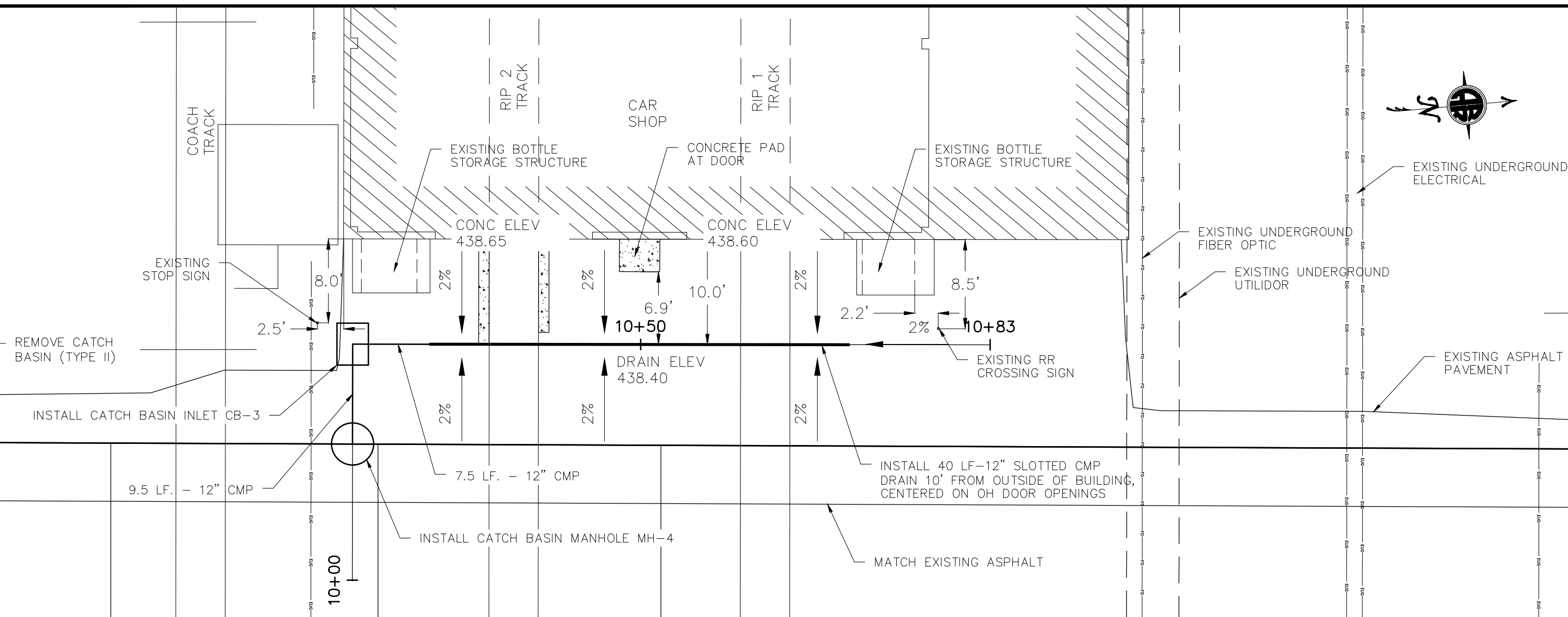


NOTE:
ALL ELEVATION DATA
BASED OFF EXISTING
INVERT OF 15" CMP OUT
OF MH-3.

REV.	DATE	BY	REVISION

ALASKA RAILROAD CORPORATION ENGINEERING SERVICES P.O. BOX 107500, ANCHORAGE, ALASKA 99510-7500		
PROJECT : FAIRBANKS RAILYARD DRAINAGE REHABILITATION		
TITLE: PLAN AND PROFILE		
DESIGNED BY: ARRC	SCALE : AS NOTED	AFE NO.: 10918
DRAWN BY: BLG	DATE : 2/1/2022	ACAD FILE:
CHECKED BY: CDR		DWG NO.
APPROVED BY: ARRC		5 OF 9

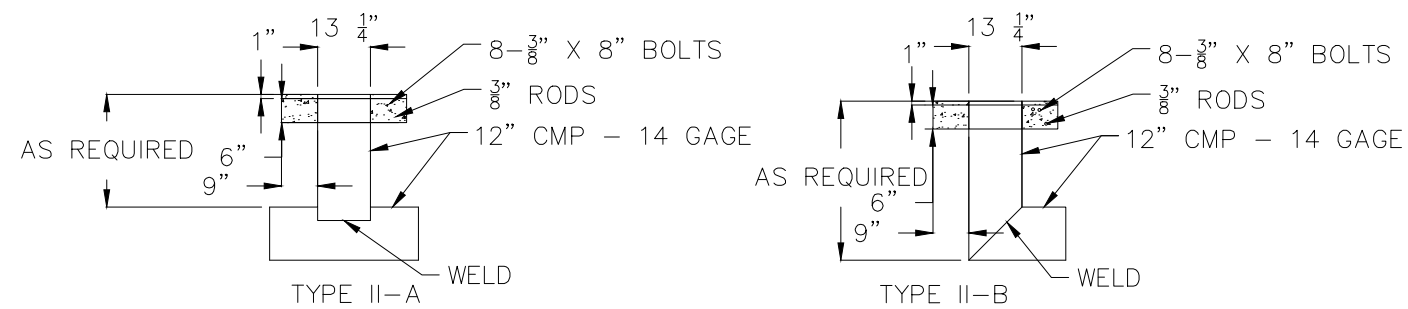
P:\Engineering\Buildings\MP_470 Fairbanks\47007 CAR SHOP\2021 Storm Drain Replacement\FB-CARSHOP-StormDrain.dwg VPort: SHEET 6 Plot Style: 750C-Half.ctb



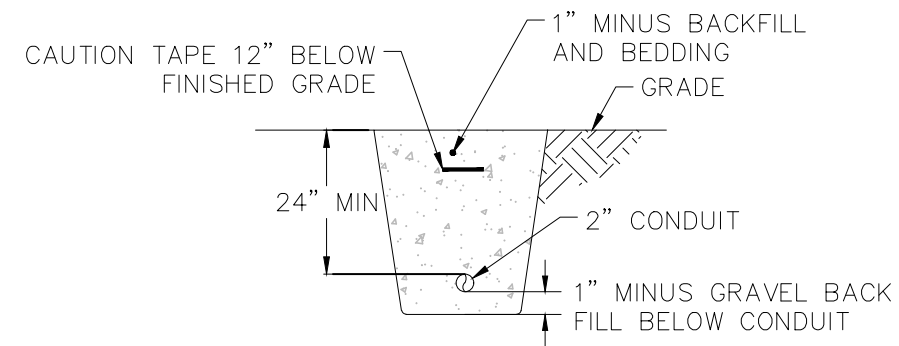
REV.	DATE	BY	REVISION

ALASKA RAILROAD CORPORATION ENGINEERING SERVICES P.O. BOX 107500, ANCHORAGE, ALASKA 99510-7500		
PROJECT : FAIRBANKS RAILYARD DRAINAGE REHABILITATION		
TITLE: CAR SHOP REGRADING SLOTTED DRAIN PLAN AND PROFILE		
DESIGNED BY: <u>ARRC</u>	SCALE : AS NOTED	AFE NO.: 10918
DRAWN BY: <u>BLG</u>	DATE : 2/1/2022	ACAD FILE:
CHECKED BY: <u>CDR</u>		DWG NO.
APPROVED BY: <u>ARRC</u>		6 OF 9

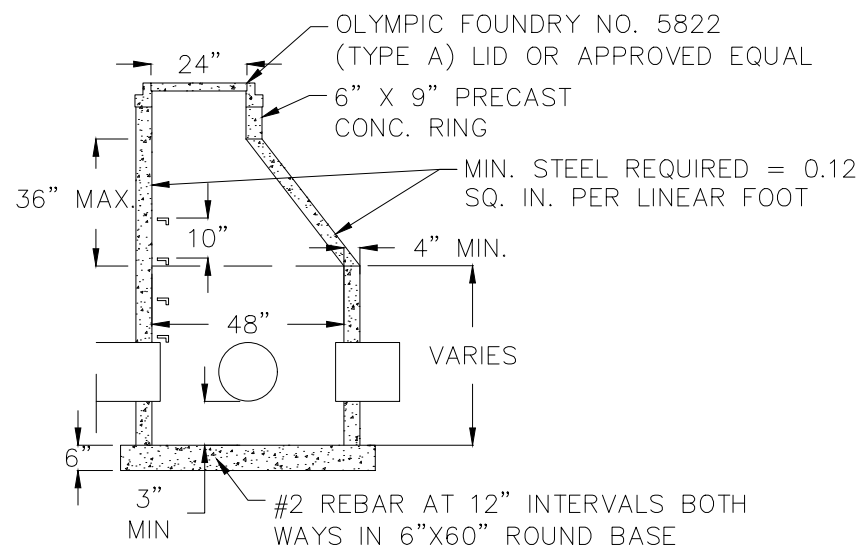
P:\Engineering\Buildings\MP 470 Fairbanks\47007 CAR SHOP\2021 Storm Drain Replacement\FBX-CARSHOP-StormDrain.dwg VPort: DETAILS 1 Plot Style: 750C-Half.ctb



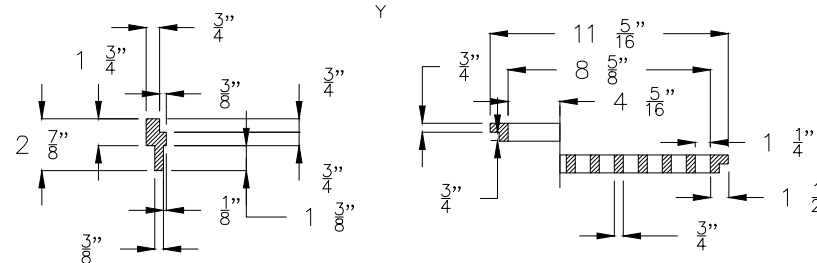
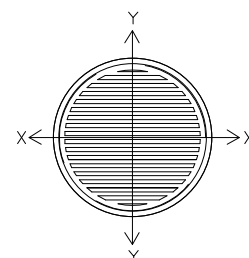
EXISTING CMP CATCH BASINS, TYPE II
NO SCALE
FOR REFERENCE ONLY



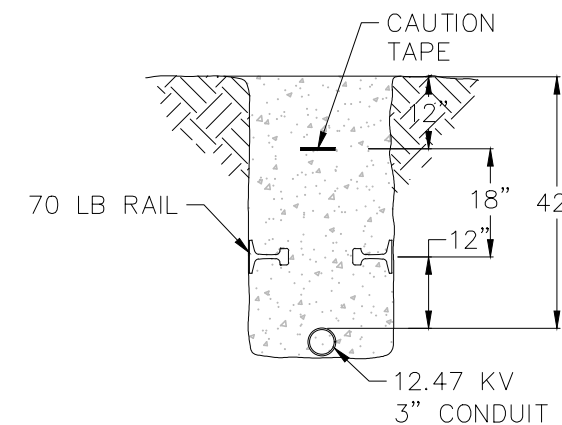
UNDERGROUND ELECTRICAL THROUGH YARD FOR REFERENCE ONLY



EXISTING PRECAST CATCH BASIN MANHOLE
NO SCALE
FOR REFERENCE ONLY

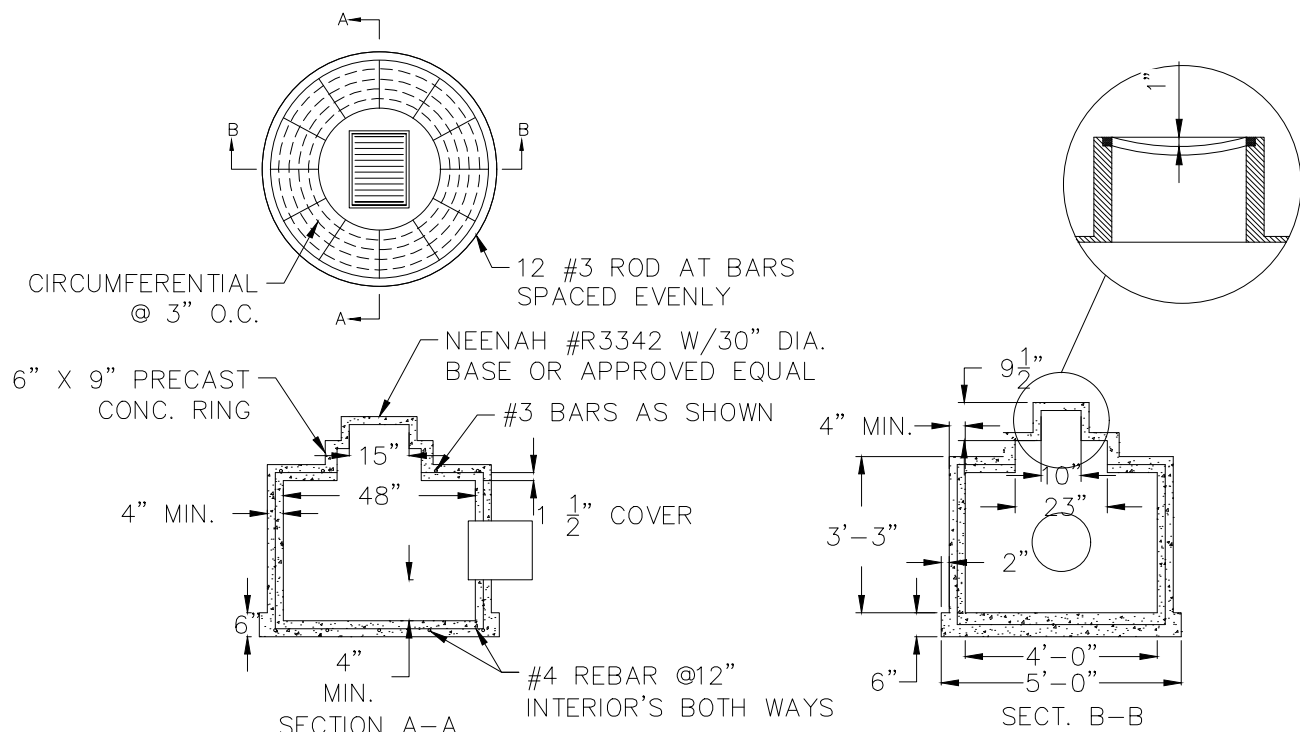


EXISTING TYPE II CATCH BASIN FRAME AND GRATE
NO SCALE
FOR REFERENCE ONLY



UNDERGROUND ELECTRICAL THROUGH YARD FOR REFERENCE ONLY

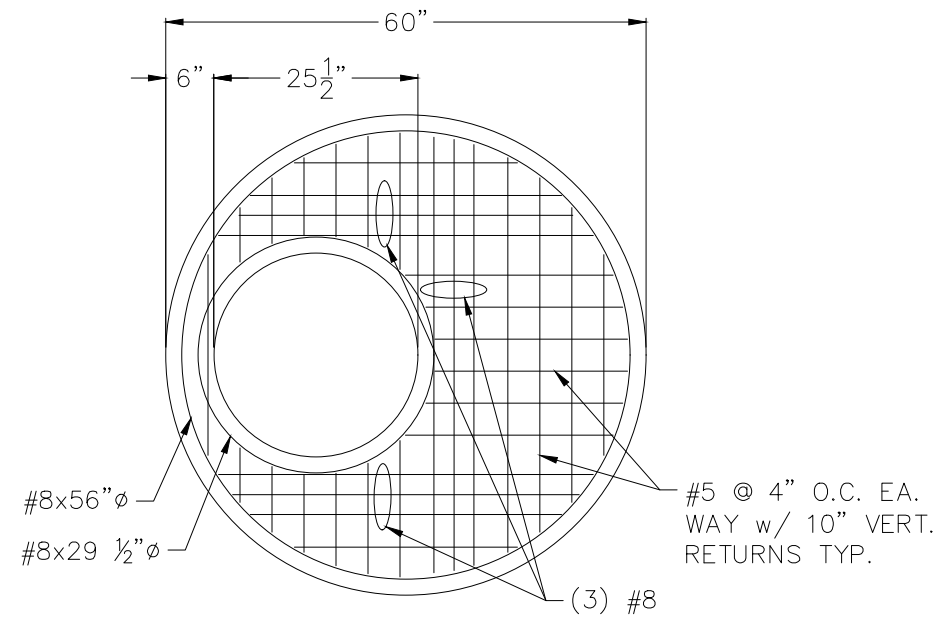
EUG STA. 6+09.40



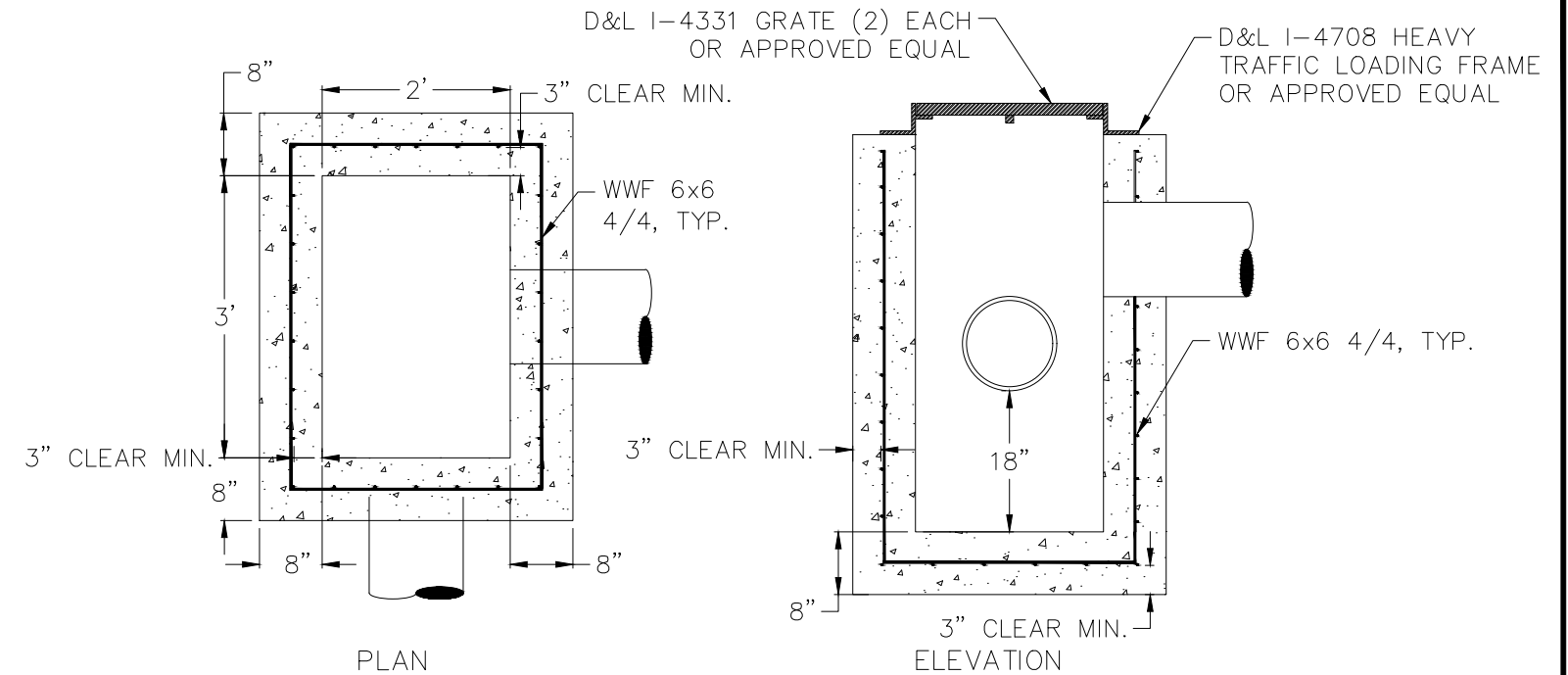
EXISTING CATCH BASIN, TYPE I
NO SCALE
FOR REFERENCE ONLY

REV.	DATE	BY	REVISION

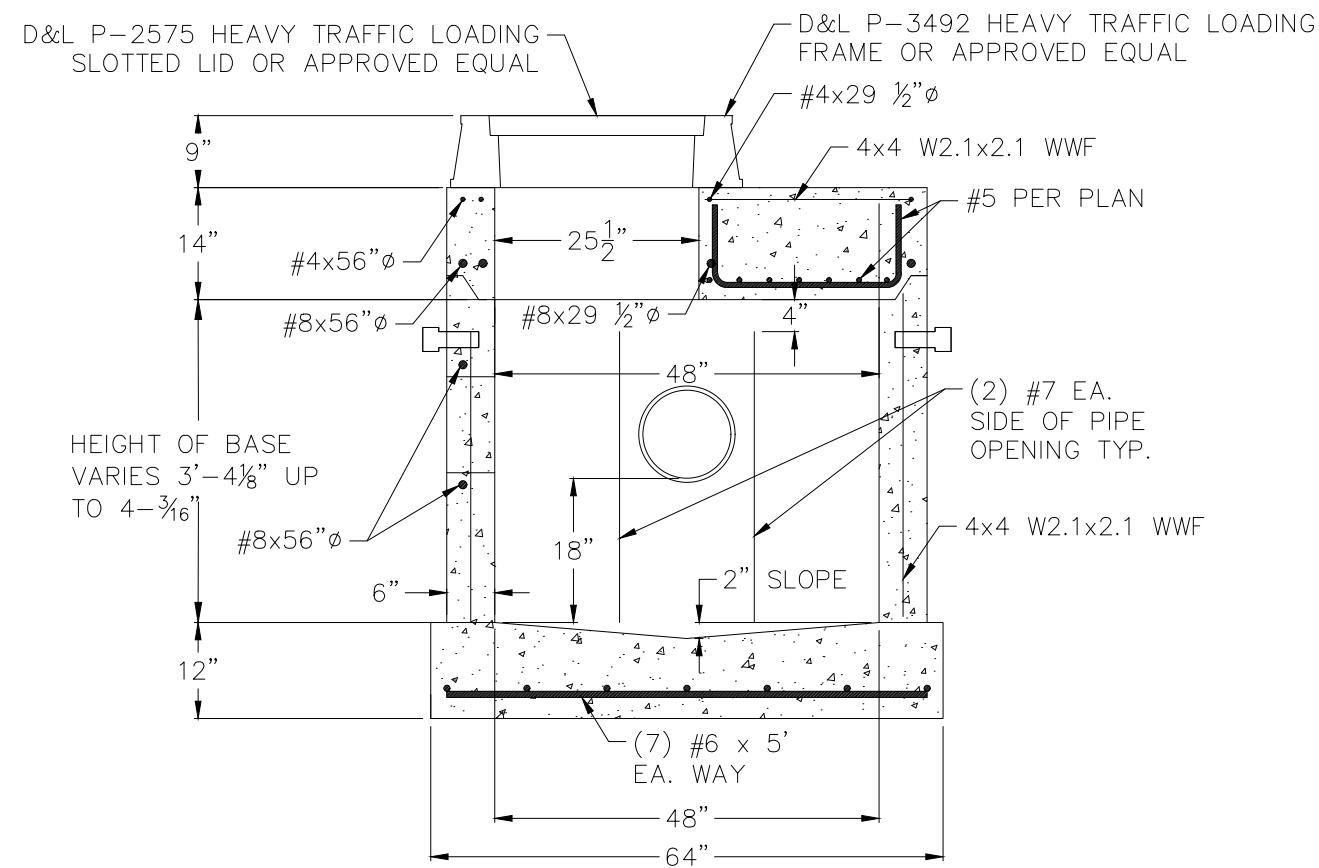
ALASKA RAILROAD CORPORATION ENGINEERING SERVICES P.O. BOX 107500, ANCHORAGE, ALASKA 99510-7500		
PROJECT : FAIRBANKS RAILYARD DRAINAGE REHABILITATION		
TITLE: EXISTING UTILITY DETAILS		
DESIGNED BY: ARRC	SCALE : AS NOTED	AFE NO.: 10918
DRAWN BY: BLG	DATE : 2/1/2022	ACAD FILE:
CHECKED BY: CDR		DWG NO.
APPROVED BY: ARRC		7 OF 9



PROPOSED FLAT MANHOLE LID
NO SCALE



PROPOSED PRECAST CATCH BASIN INLET,
TYPE A
NO SCALE



PROPOSED PRECAST CATCH BASIN
MANHOLE
NO SCALE

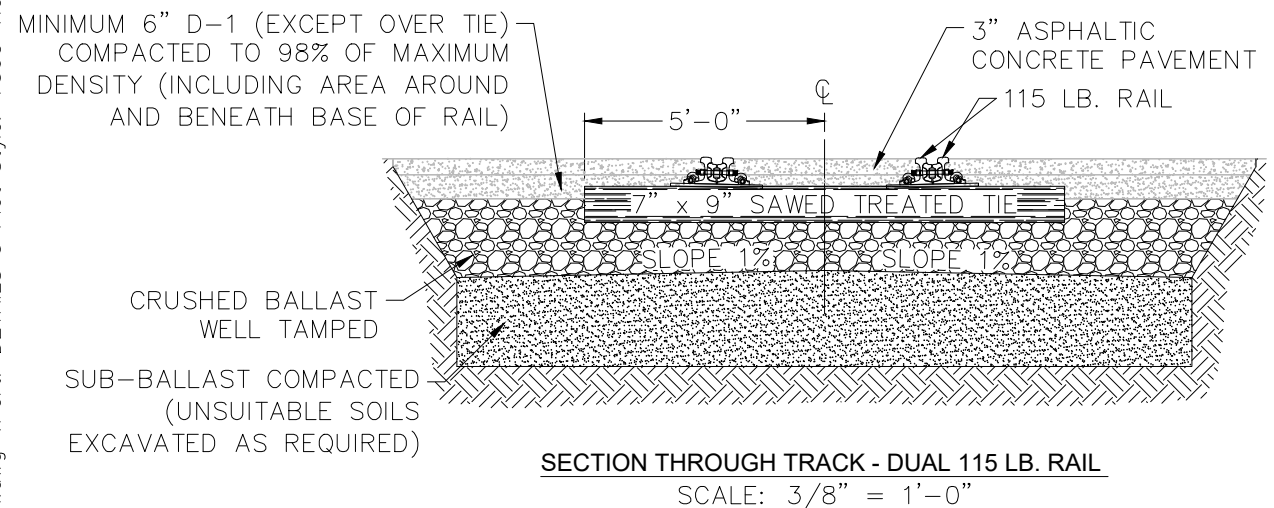
NOTES:

1. PROPOSED CATCH BASIN MANHOLES TO MEET REQUIRED LOAD RATING OF DESIGN VEHICLE TOYOTA LOAD HANDLER - LH3.
2. PROPOSED CATCH BASIN INLET TO MEET HS-20 LOAD RATING.

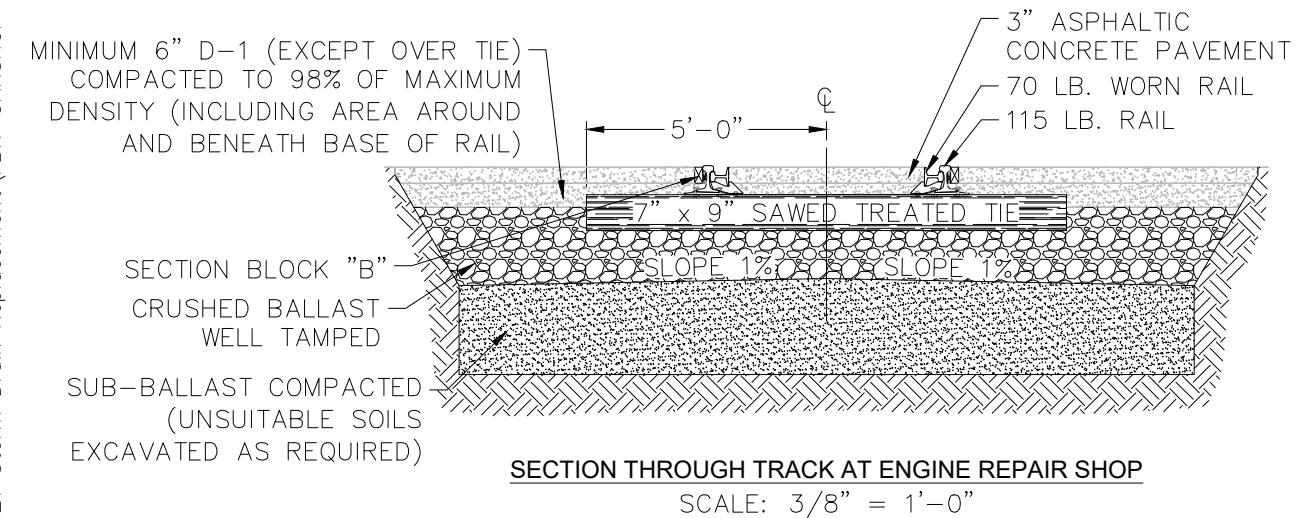
REV.	DATE	BY	REVISION

ALASKA RAILROAD CORPORATION ENGINEERING SERVICES P.O. BOX 107500, ANCHORAGE, ALASKA 99510-7500		
PROJECT : FAIRBANKS RAILYARD DRAINAGE REHABILITATION		
TITLE: PROPOSED STORM DRAIN DETAILS		
DESIGNED BY: ARRC	SCALE : AS NOTED	AFE NO.: 10918
DRAWN BY: BLG	DATE : 2/1/2022	ACAD FILE:
CHECKED BY: CDR		DWG NO. 8 OF 9
APPROVED BY: ARRC		

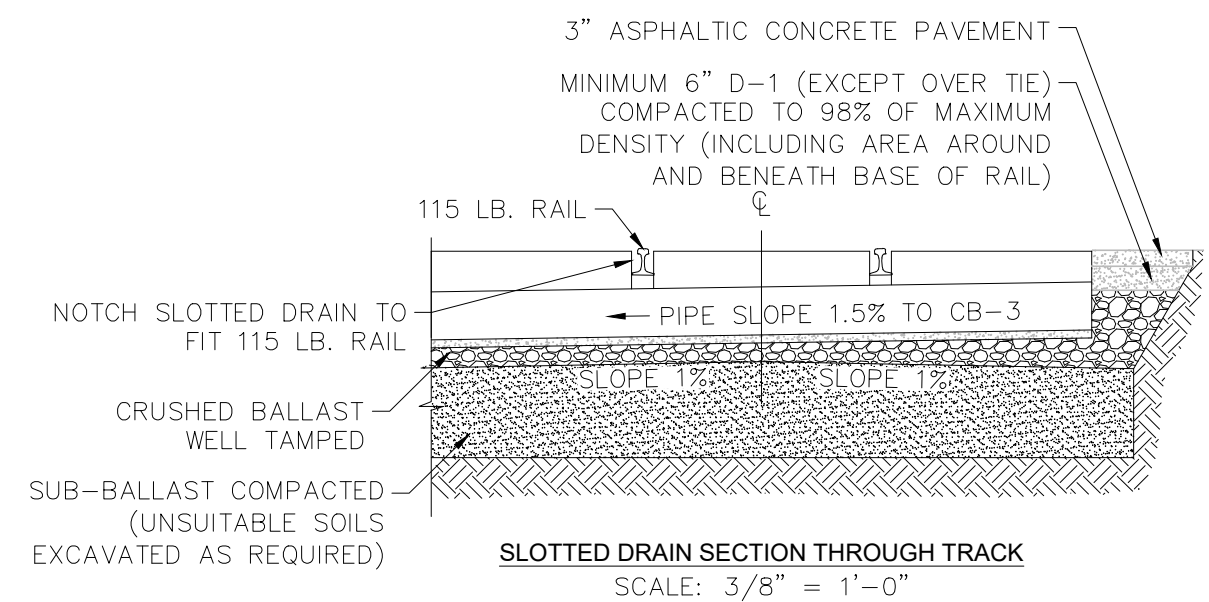
P:\Engineering\Buildings\MP 470 Fairbanks\47007 CAR SHOP\2021 Storm Drain Replacement\FB-CARSHOP-StormDrain.dwg VPort: DETAILS 3 Plot Style: 750C-Half.ctb



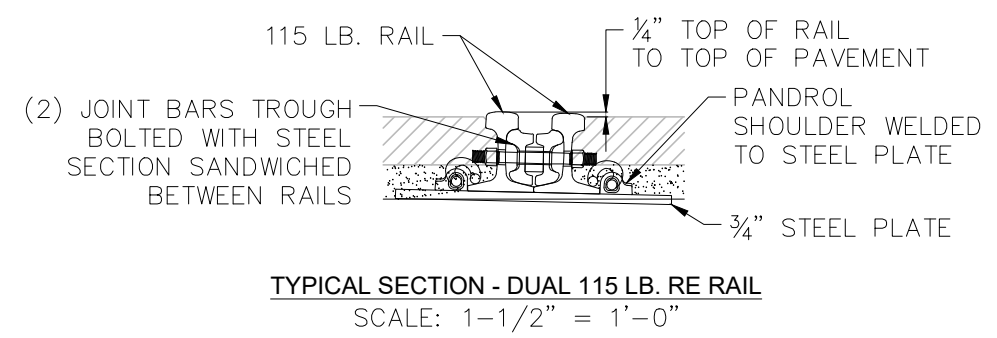
SECTION THROUGH TRACK - DUAL 115 LB. RAIL
SCALE: 3/8" = 1'-0"



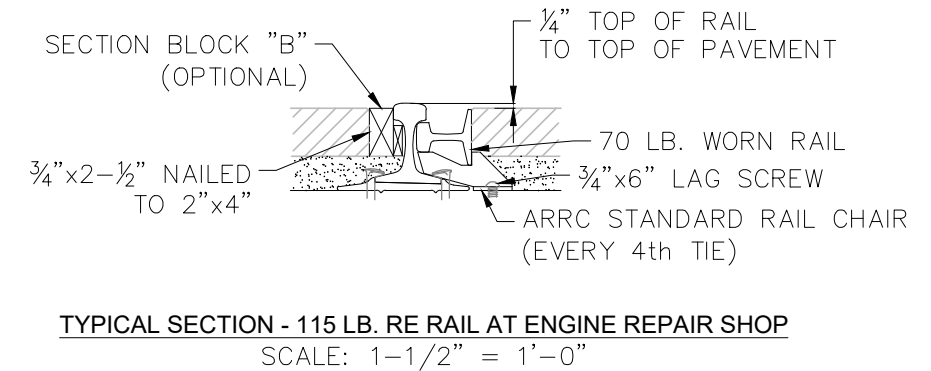
SECTION THROUGH TRACK AT ENGINE REPAIR SHOP
SCALE: 3/8" = 1'-0"



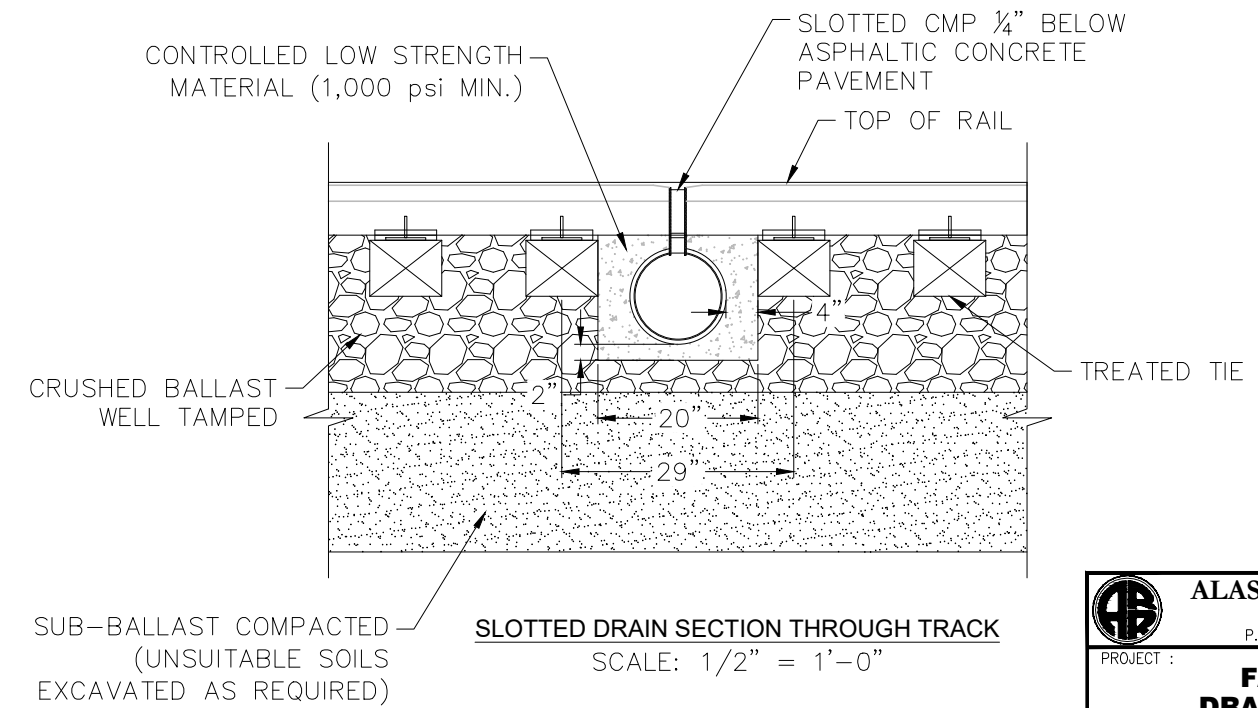
SLOTTED DRAIN SECTION THROUGH TRACK
SCALE: 3/8" = 1'-0"



TYPICAL SECTION - DUAL 115 LB. RE RAIL
SCALE: 1-1/2" = 1'-0"



TYPICAL SECTION - 115 LB. RE RAIL AT ENGINE REPAIR SHOP
SCALE: 1-1/2" = 1'-0"



SLOTTED DRAIN SECTION THROUGH TRACK
SCALE: 1/2" = 1'-0"

- NOTES:**
1. TIE SPACING TO BE 19 1/2" C/C THROUGH CROSSING.
 2. COORDINATE MOVEMENT OF TIES TO PLACE SLOTTED DRAIN WITH ARRC REPRESENTATIVE.
 3. ALL TIES, TIE PLATES, JOINT FASTENINGS, SPIKES, AND ASSOCIATED HARDWARE SHALL BE LEFT IN PLACE AND NOT REMOVED. ANY DAMAGE TO 115 LB. RAIL WILL REQUIRE REPLACEMENT OF DAMAGED RAIL SECTION.
 4. 115 LB. RUNNING RAIL MUST NOT BE CUT OR SCORED. CONTRACTOR WILL BE REQUIRED TO EXCAVATE AROUND TRACK AND RAILS; TRACK WILL NOT BE REMOVED.

REV.	DATE	BY	REVISION

<p>ALASKA RAILROAD CORPORATION ENGINEERING SERVICES P.O. BOX 107500, ANCHORAGE, ALASKA 99510-7500</p>		
<p>PROJECT : FAIRBANKS RAILYARD DRAINAGE REHABILITATION</p>		
<p>TITLE: TRACK SECTION DETAILS</p>		
DESIGNED BY: ARRC	SCALE : AS NOTED	AFE NO.: 10918
DRAWN BY: BLG	DATE : 2/1/2022	ACAD FILE:
CHECKED BY: CDR		DWG NO. 9 OF 9
APPROVED BY: ARRC		