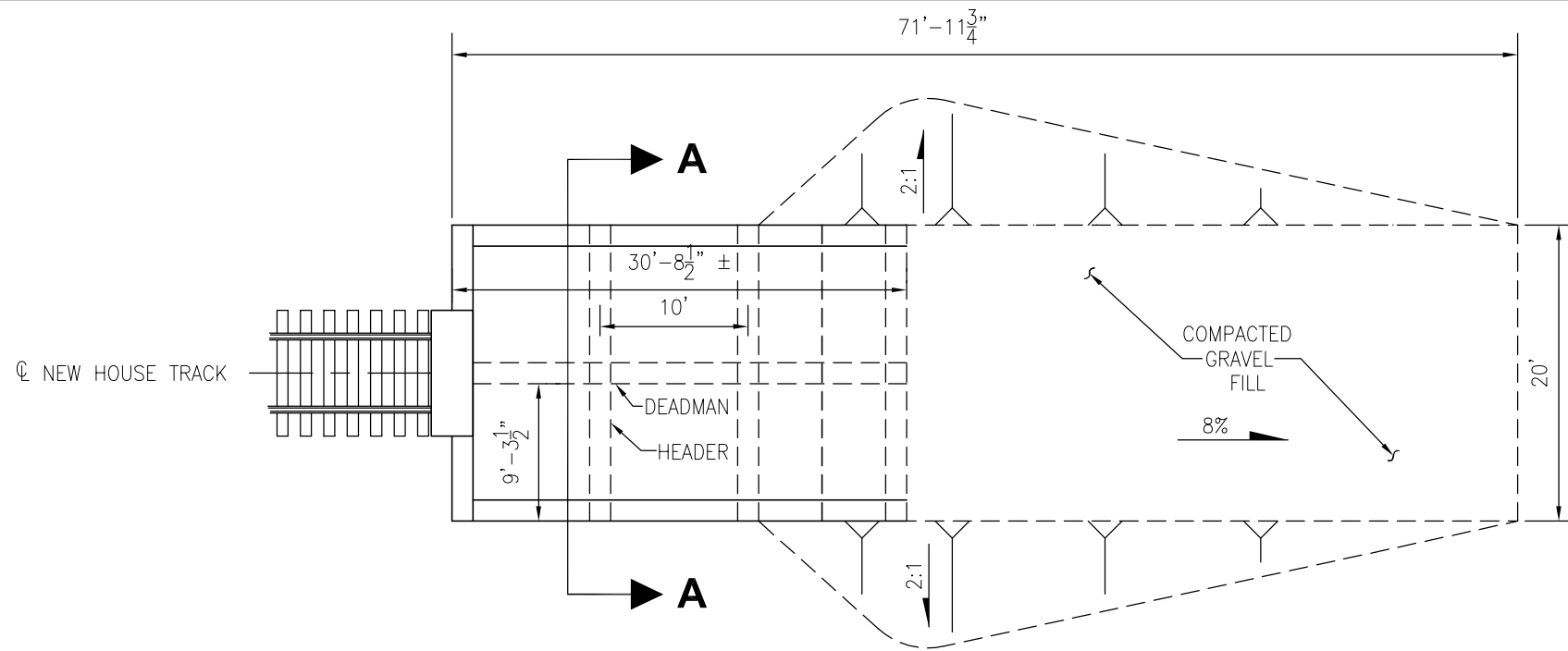


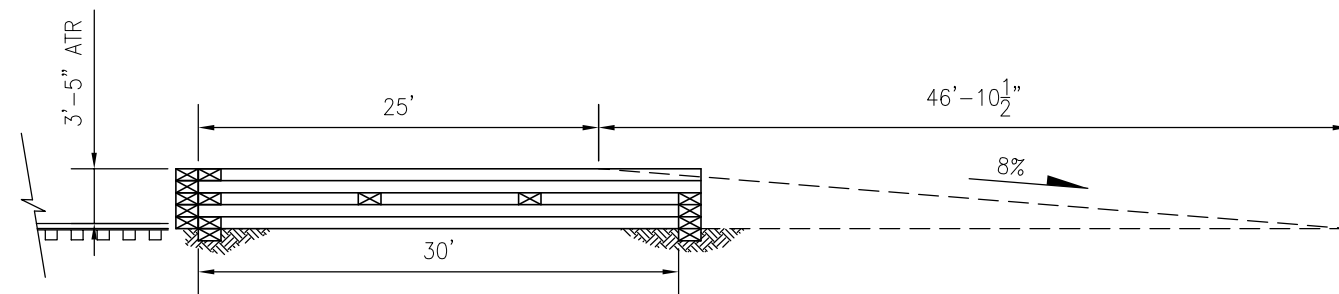
NOTES:

1. ALL WOOD MEMBERS ARE SECOND HAND 9x17 TREATED BRIDGE TIMBERS JOINED WITH 3/4 INCH DIAMETER x 24 INCH LONG DRIFT BOLTS. ESTIMATED QUANTITY: 650 LF.
2. ESTIMATED FILL QUANTITY: 200± CY



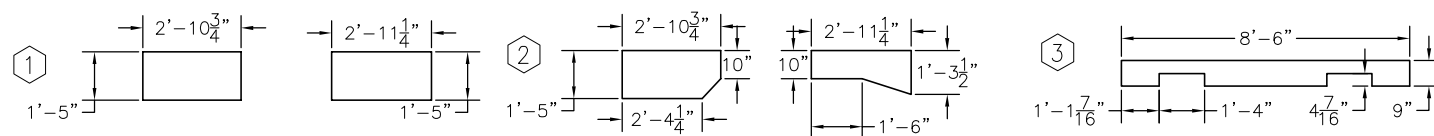
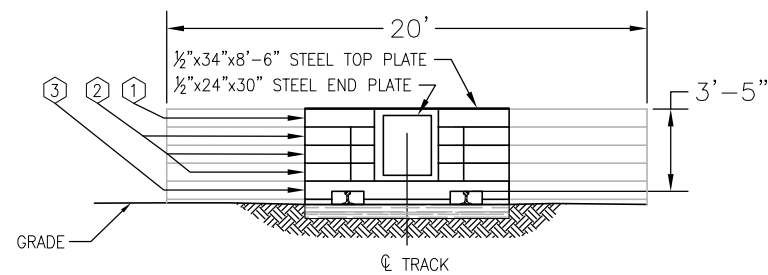
TIMBER END RAMP PLAN

SCALE: NOT TO SCALE



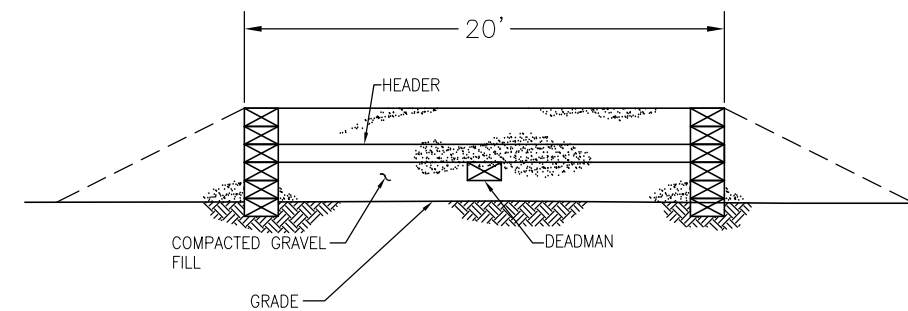
TIMBER END RAMP SIDE ELEVATION

SCALE: NOT TO SCALE



KNUCKLE POCKET DETAIL

SCALE: NOT TO SCALE



SECTION A-A

SCALE: NOT TO SCALE

ALASKA RAILROAD CORPORATION
ENGINEERING SERVICES
P.O. BOX 107500, ANCHORAGE, ALASKA 99510-7500

PROJECT : **TIMBER END RAMP**

TITLE: **RAMP PLAN & ELEVATION WITH DETAILS**

DESIGNED BY: BJA	SCALE : AS NOTED	AFE NO.: NONE
DRAWN BY: DxD	DATE : 2/16/2018	ACAD FILE:
CHECKED BY: BJA		DWG NO. 1 OF 1
APPROVED BY: RJT		

REV.	DATE	BY	REVISION