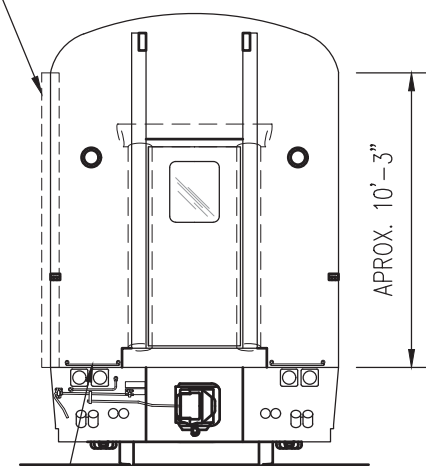
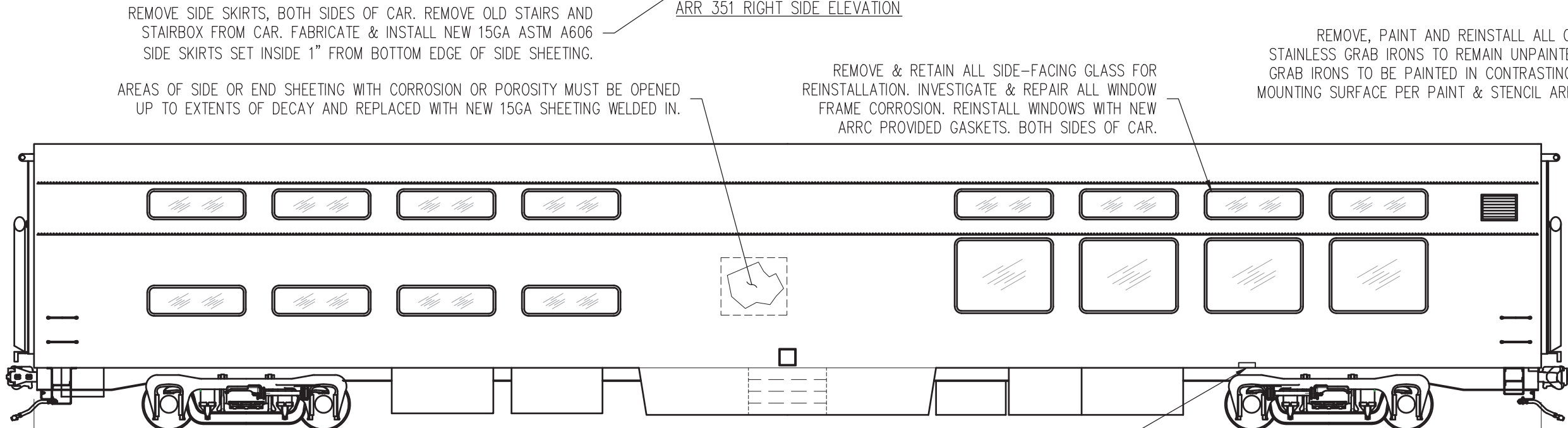


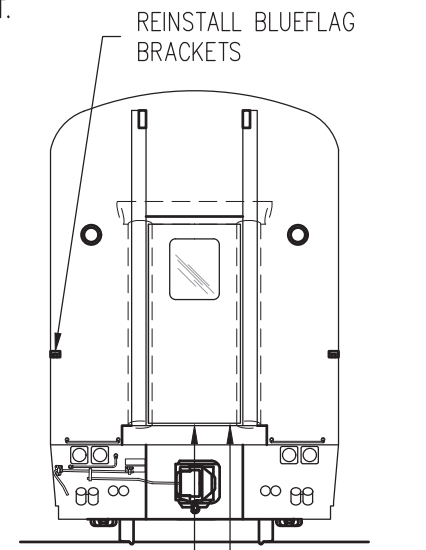
ARR 351 RIGHT SIDE ELEVATION



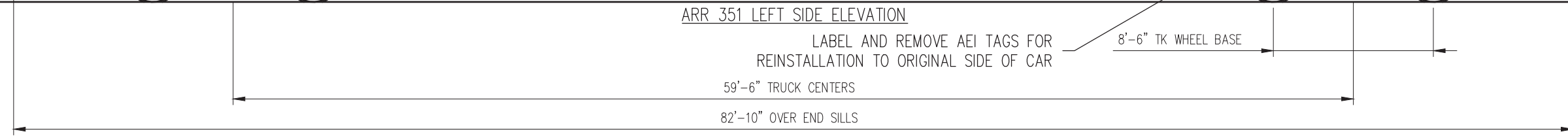
A-END ELEVATION



ARR 351 LEFT SIDE ELEVATION




B-END ELEVATION

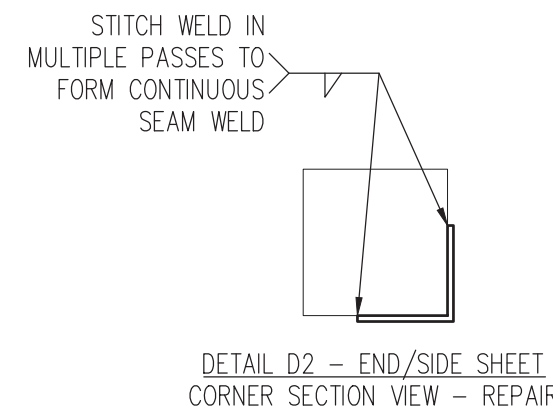
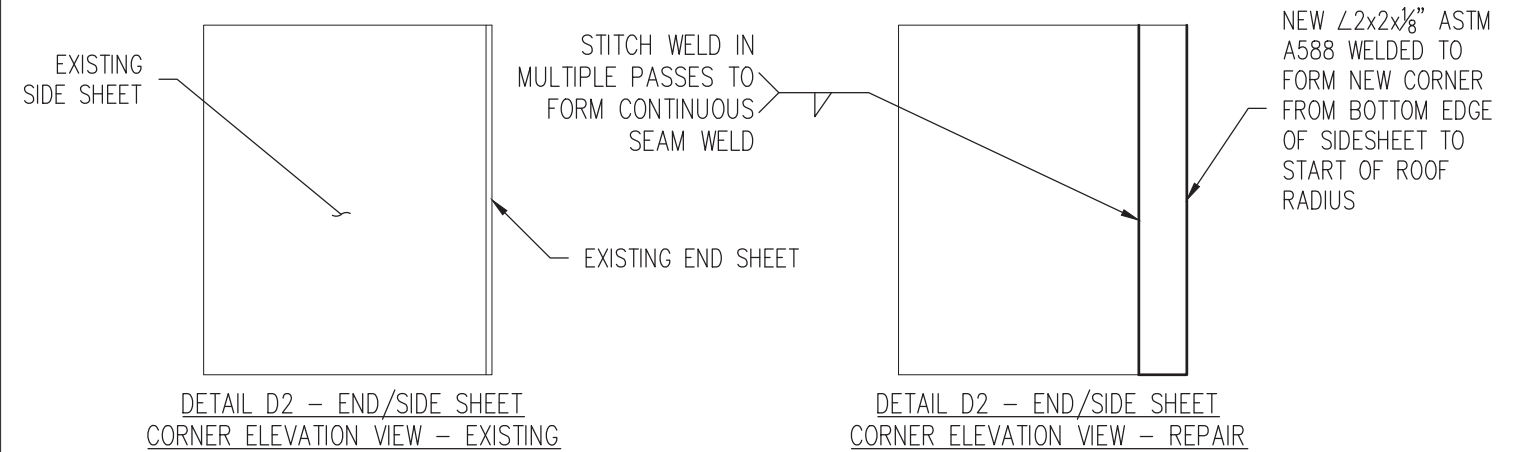
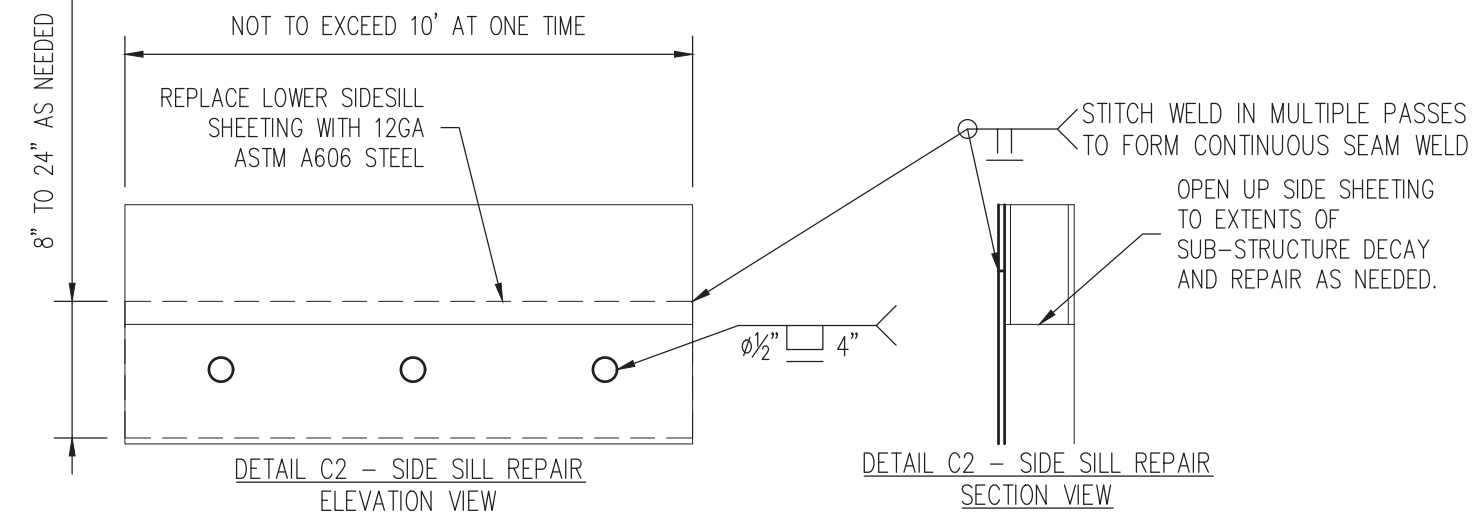
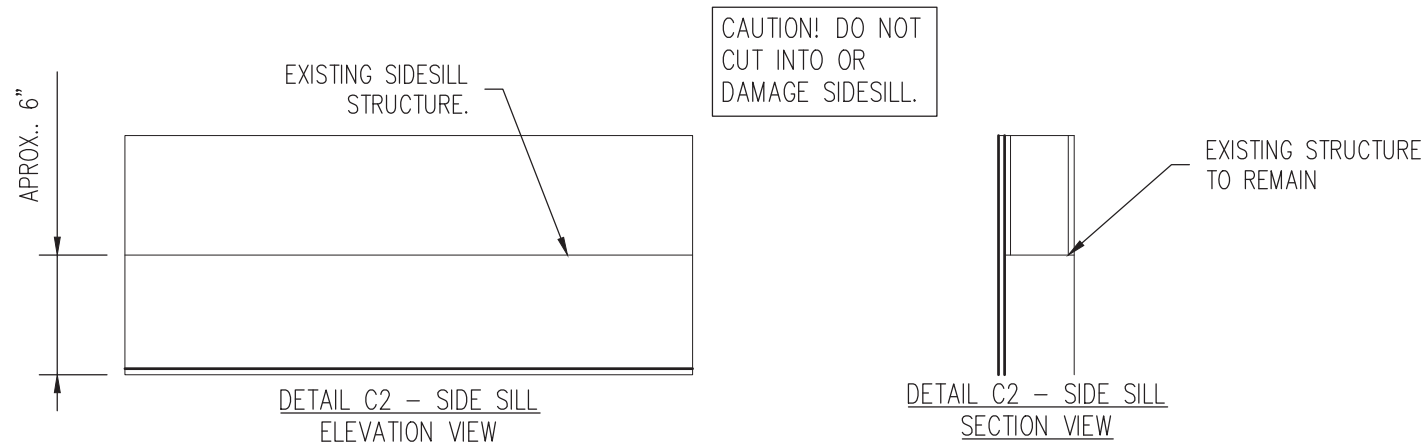
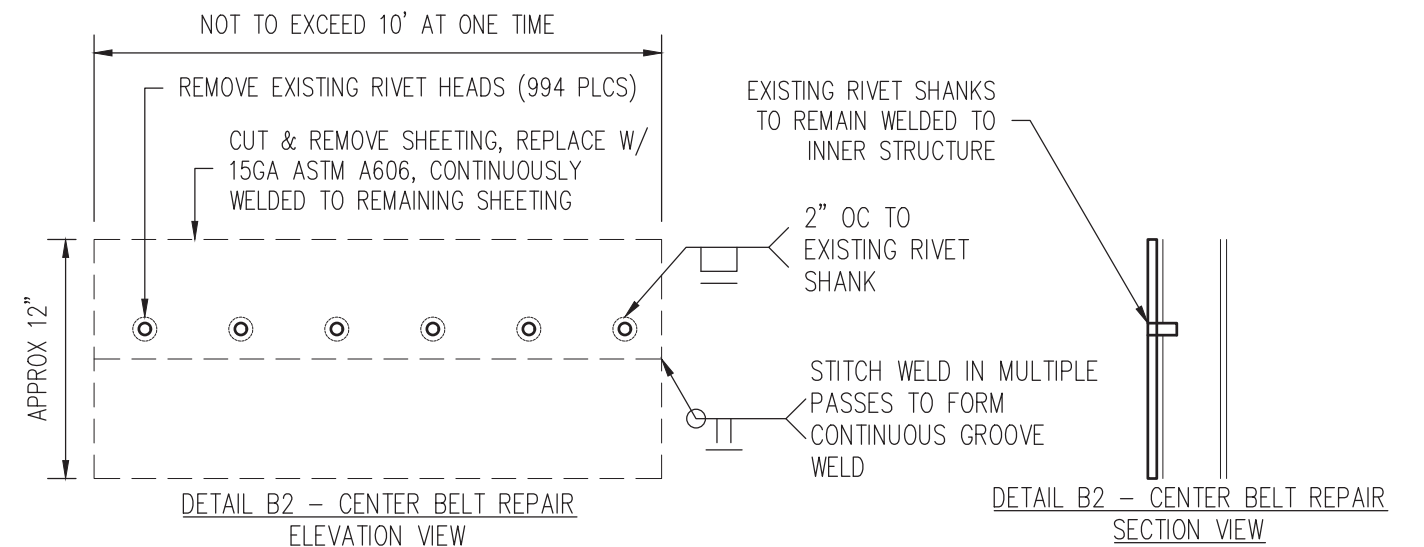
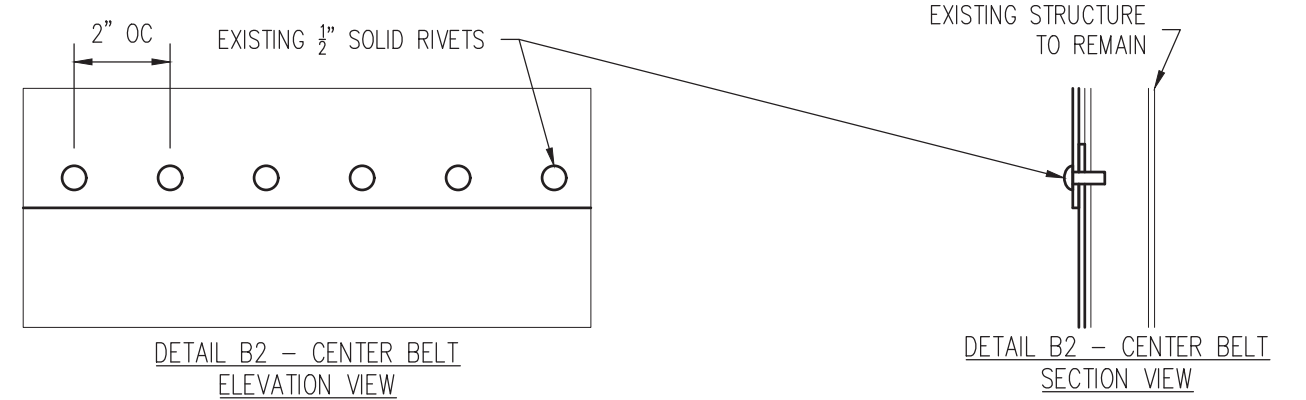
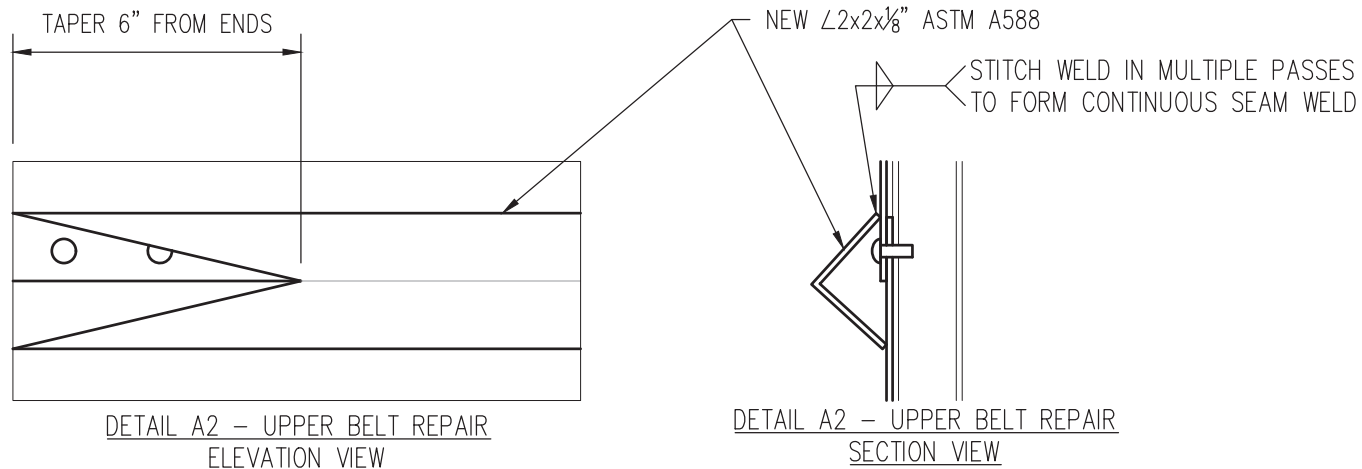
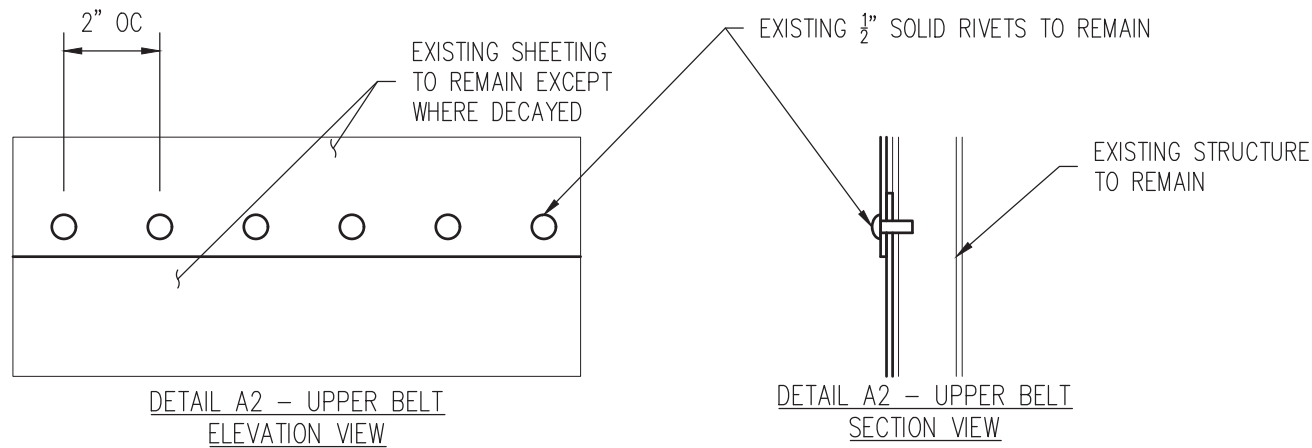



LABEL AND REMOVE AEI TAGS FOR REINSTALLATION TO ORIGINAL SIDE OF CAR

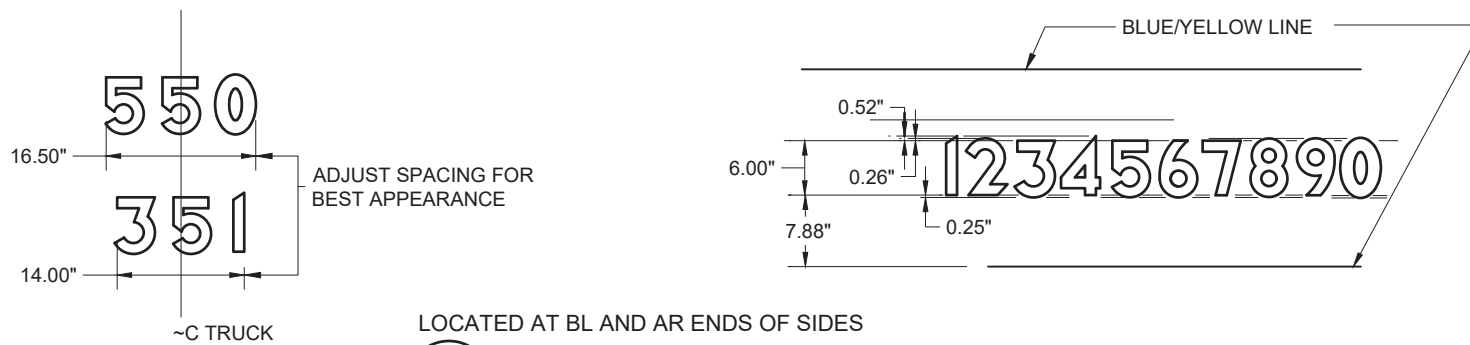
REPLACE CROSSOVER PLATES WITH 3/16" SS DIAMOND PLATE

INVESTIGATE CROSSOVER FLOOR AND REPAIR DECAY

 ALASKA RAILROAD CORPORATION ENGINEERING SERVICES P.O. BOX 107500, ANCHORAGE, ALASKA 99510-7500		
PROJECT : MOTIVE POWER AND EQUIPMENT PASSENGER EQUIPMENT		
TITLE : ARR 351 PAINT AND REPAIRS ELEVATION VIEWS		
DESIGNED BY: ARRC	SCALE : NTS	AFE NO.: 11200 2024 AFE
DRAWN BY: ARRC	DATE : MAY 2024	ACAD FILE:
CHECKED BY: ARRC		DWG NO. 1 OF 3
APPROVED BY: ARRC		

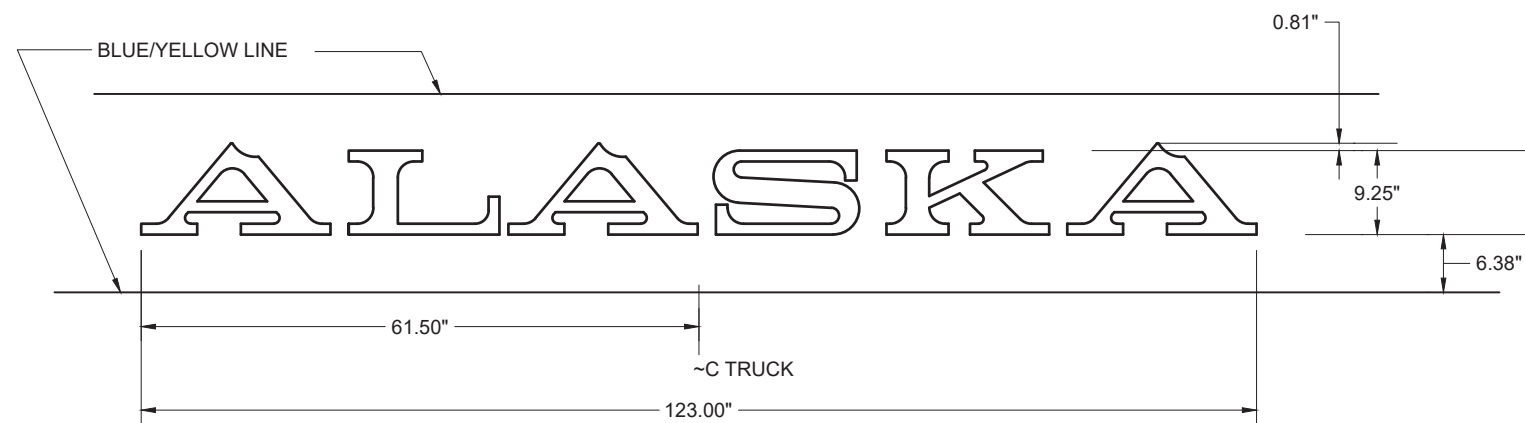


 ALASKA RAILROAD CORPORATION ENGINEERING SERVICES P.O. BOX 107500, ANCHORAGE, ALASKA 99510-7500		
PROJECT : MOTIVE POWER AND EQUIPMENT PASSENGER EQUIPMENT		
TITLE: ARR 351 PAINT AND REPAIRS REPAIR DETAILS		
DESIGNED BY: ARRC	SCALE : NTS	AFE NO.: 11200 2024 ARRC
DRAWN BY: ARRC	DATE : MAY 2024	ACAD FILE: DWG NO.
CHECKED BY: ARRC		2 OF 3
APPROVED BY: ARRC		



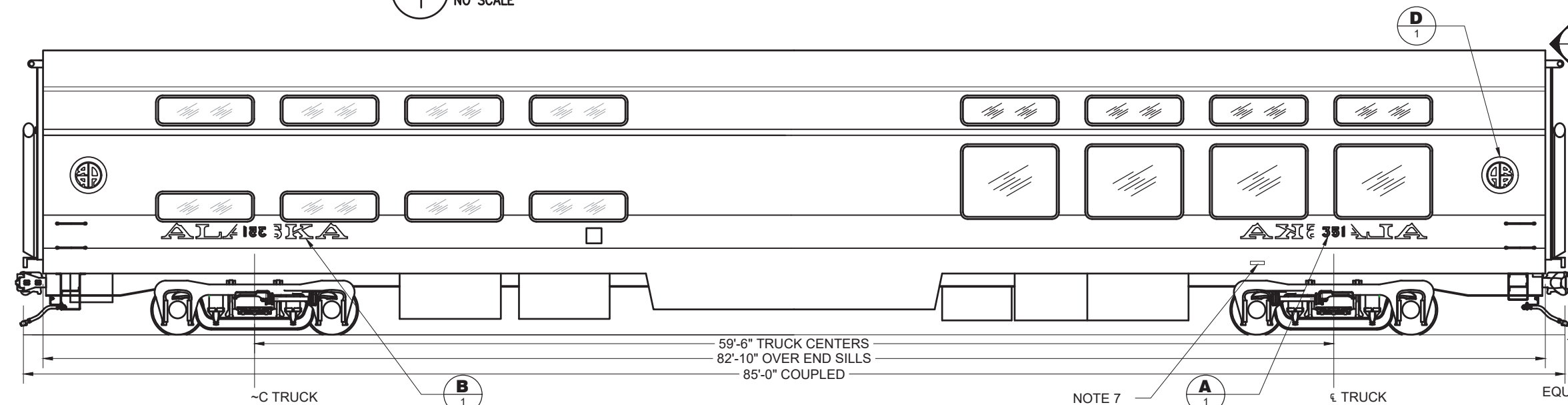
LOCATED AT BL AND AR ENDS OF SIDES

A
1
DETAIL A
NO SCALE



LOCATED AT BR AND AL ENDS OF SIDES

B
1
DETAIL B
NO SCALE



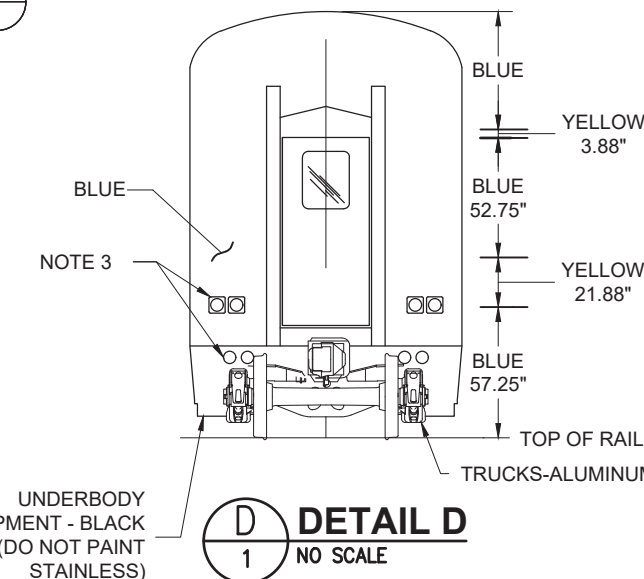
- GENERAL NOTES:**
- DO NOT PAINT STAINLESS STEEL, OTHER BRIGHT METAL, COUPLERS OR WHEELS.
 - ALL PAINTING TO BE IN ACCORDANCE WITH ARRC SPECIFICATION FOR PAINTING OF ROLLING STOCK.
 - COLOR CODE FOR TRAINLINE RECEPTACLES:
 COMMUNICATIONS: LIGHT BLUE
 DUMMY: WHITE
 POWER: RED
 LOCOMOTIVE MU: YELLOW
 - DETAILS OF GRAPHICS ARE DOCUMENTED IN THE AUTOCAD FILE OF THIS DRAWING.
 - DIMENSIONS SHOWN IN DETAIL D APPLY AT BODY BOLSTERS. LINES ARE TO FOLLOW CARBODY CAMBER.
 - PAINT ALL UNDER CAR EQUIPMENT BLACK, TRUCKS TO BE PAINTED ALUMINUM SILVER.
 - STAINLESS STEEL GRAB-IRONS TO REMAIN UNPAINTED, MILD STEEL GRAB IRONS MOUNTED TO A OR B ENDS PAINTED YELLOW.
 - AEI TAGS (2) ARE SIDE SPECIFIC; MARK AND REPLACE TO SAME SIDE, SAME LOCATION.
 - NEW RETRO-REFLECTIVE EMERGENCY ACCESS SIGNS WILL BE INSTALLED BY ALASKA RAILROAD.
 - DRAWING DOES NOT PURPORT TO SHOW CONSTRUCTION IN ABSOLUTE AND COMPLETE DETAIL.



18.00" VISUAL END OF SIDE SHEET

24" DIAMETER LOGOTYPE.
 VERTICAL POSITION: CENTERED IN 52.75" BLUE STRIPE.
 HORIZONTAL POSITION: MAINTAIN 18" (OR AS SPACE PERMITS) FROM VISUAL END OF SIDE SHEET (eg CORNER POST OR DOOR JAMB). LOCATED AT BL AND AR ENDS OF SIDES.

C
1
DETAIL C
NO SCALE



D
1
DETAIL D
NO SCALE

ALASKA RAILROAD CORPORATION ENGINEERING SERVICES P.O. BOX 107500, ANCHORAGE, ALASKA 99510-7500		
PROJECT : MOTIVE POWER AND EQUIPMENT PASSENGER EQUIPMENT		
TITLE: ARR 351 PAINT AND REPAIRS PAINT AND STENCIL ARRANGEMENT		
DESIGNED BY: ARRC	SCALE : NTS	AFE NO.: 11200 2024 ARRC
DRAWN BY: ARRC	DATE : MAY 2024	ACAD FILE: DWG NO.
CHECKED BY: ARRC		3 OF 3
APPROVED BY: ARRC		